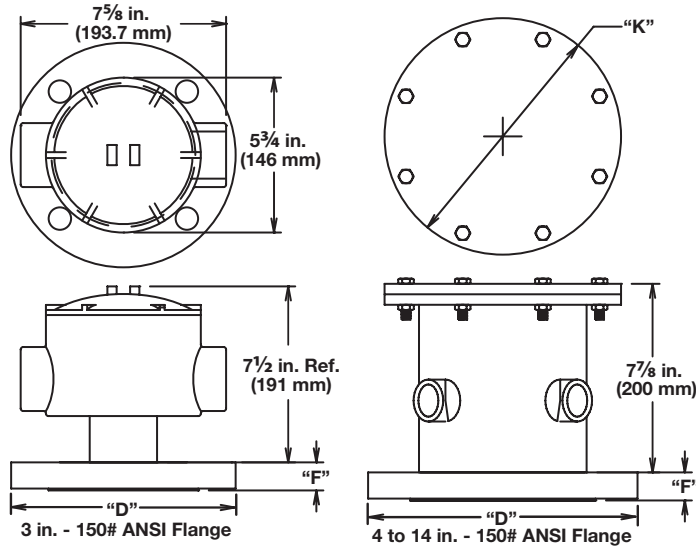


Immersion Heaters



WATROD ANSI Flange Immersion Heaters

Optional CSA Type 4/Explosion Proof Enclosure Without Thermostat



Terminal Enclosure Dimensions

General Purpose or NEMA 4 Enclosure

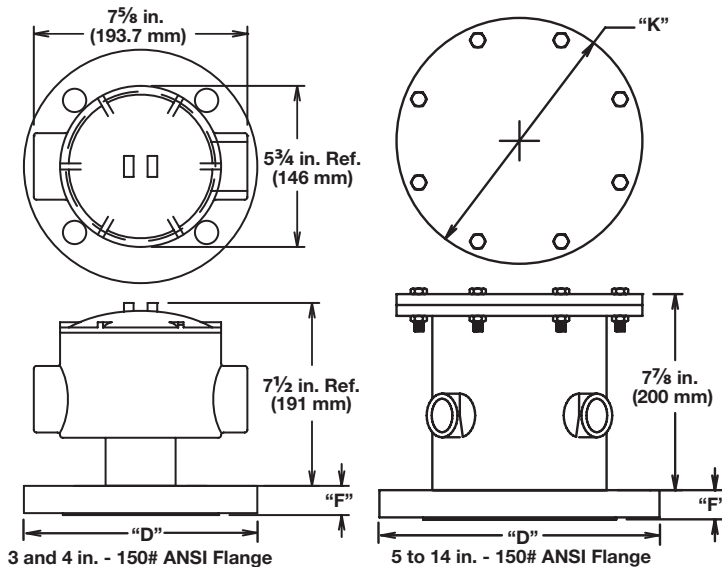
ANSI Flange Size in.	"F" Thickness in. (mm)	"K" With Thermostat	"K" Without Thermostat	"D" in. (mm)
3	15/16 (23.8)	5 3/4 (146)	See heater dwg.	7 1/2 (191)
4	15/16 (23.8)	5 3/4 (146)	See heater dwg.	9 (229)

Note: 5 thru 12 in. (127 thru 305 mm) flange dimensions are on catalog heater drawings.

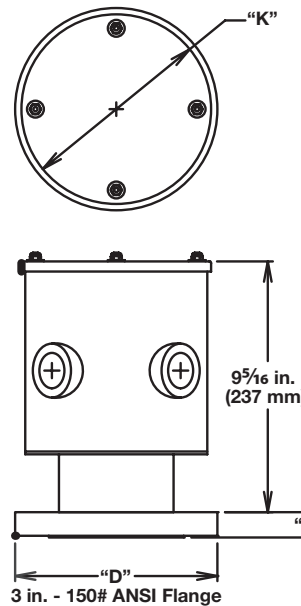
CSA Type 4/Explosion Proof Enclosures

ANSI Flange Size in.	"F" Thickness in. (mm)	"K" With Thermostat	"K" Without Thermostat	"D" in. (mm)
3	15/16 (23.8)	N/A	N/A	7 1/2 (191)
4	15/16 (23.8)	N/A	7 7/8 (200.0)	9 (229)
5	15/16 (23.8)	8 7/8 (225.4)	8 7/8 (225.4)	10 (254)
6	1 (25.0)	9 7/8 (250.8)	9 7/8 (250.8)	11 (280)
8	1 1/8 (28.6)	12 1/8 (308.0)	12 1/8 (308.0)	13 1/2 (343)
10	1 3/16 (30.2)	14 5/8 (371.5)	14 5/8 (371.5)	16 (407)
12	1 1/4 (32.0)	17 1/4 (438.0)	17 1/4 (438.0)	19 (483)
14	1 3/8 (34.9)	19 3/8 (492.1)	19 3/8 (492.1)	21 (534)

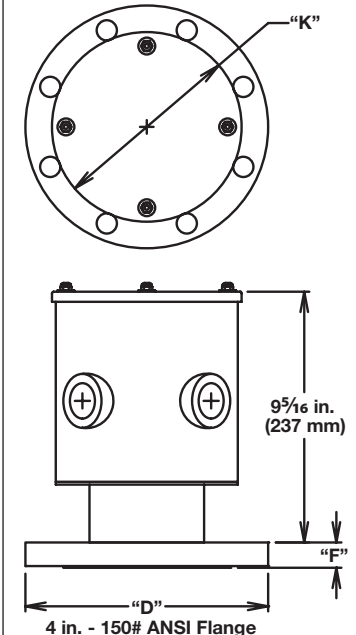
Optional CSA Type 4/Explosion Proof Enclosure With Thermostat



Optional General Purpose/or NEMA 4 Enclosure With Thermostat



Optional NEMA 4 Enclosure With Thermostat



To order: Reference the *Ordering Information* on page 281.

Note: Dimensions for all 5 to 14 in. flange heaters with General Purpose or NEMA 4 Enclosure with thermostats are identical to units supplied without thermostats.