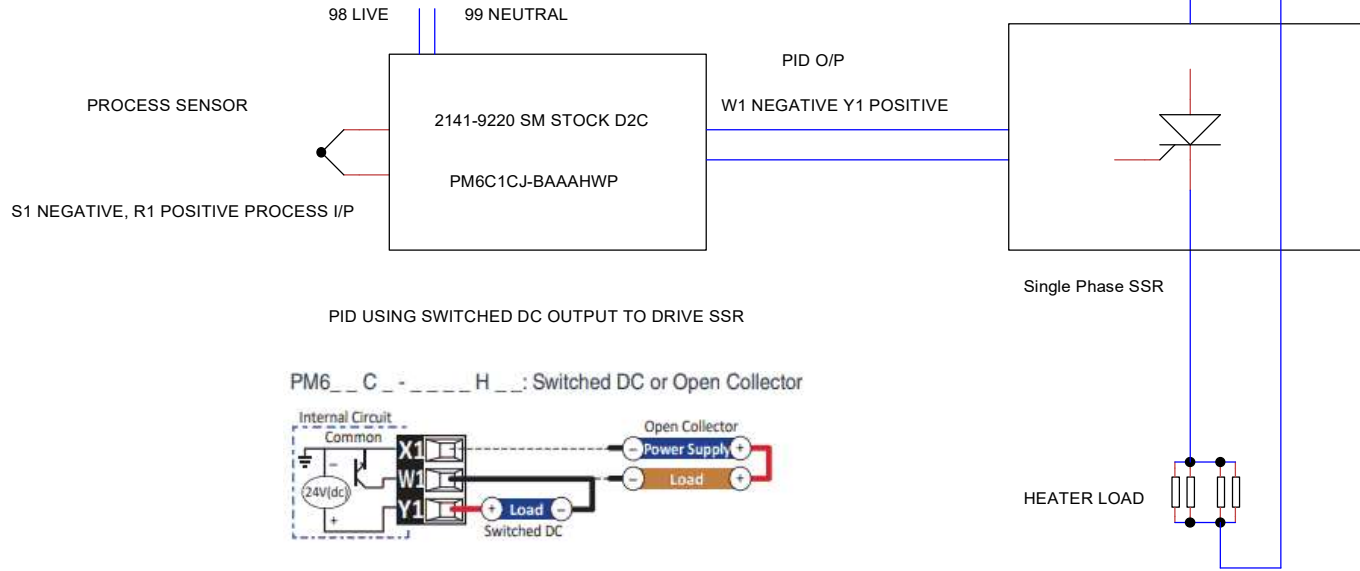
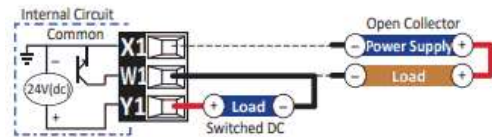


N.B VISUAL REPRESENTATION ONLY. RELEVANT INSTALLATION MANUALS MUST BE ACCESSED & REFERRED TO BY QUALIFIED ELECTRICAL INSTALLATION PERSONELL. NO LIABILITY CAN BE ACCEPTED FOR REFERENCES MADE THAT MAY DIFFER FROM ACTUAL APPLICATION PARAMETERS

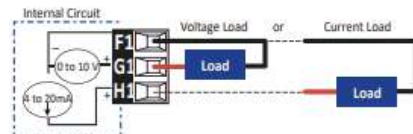


PM6_C - - - - - H : Switched DC or Open Collector



PM6_F - - - - - H : Universal Process

0 to 20 mA: 800 Ω max. load
0 to 10V: 1kΩ min. load



ALTERNATIVE CONFIGURED FOR PROCESS O/P

Typical Block Diagram



Title SINGLE PHASE TYPICAL PID ONLY		
Author RB SENSEMASTER LTD		
File \\192.1 ... Single phase typical PID only.dsn	Document	
Revision 2.0	Date 02/10/2023	Sheets 1 of 1