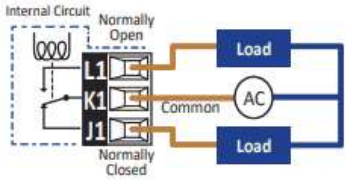
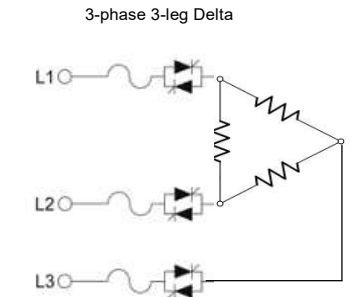
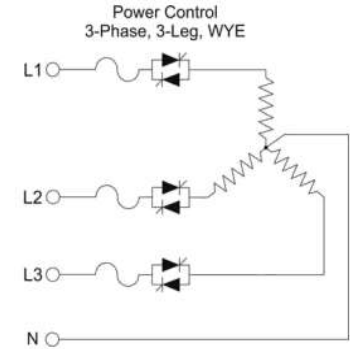
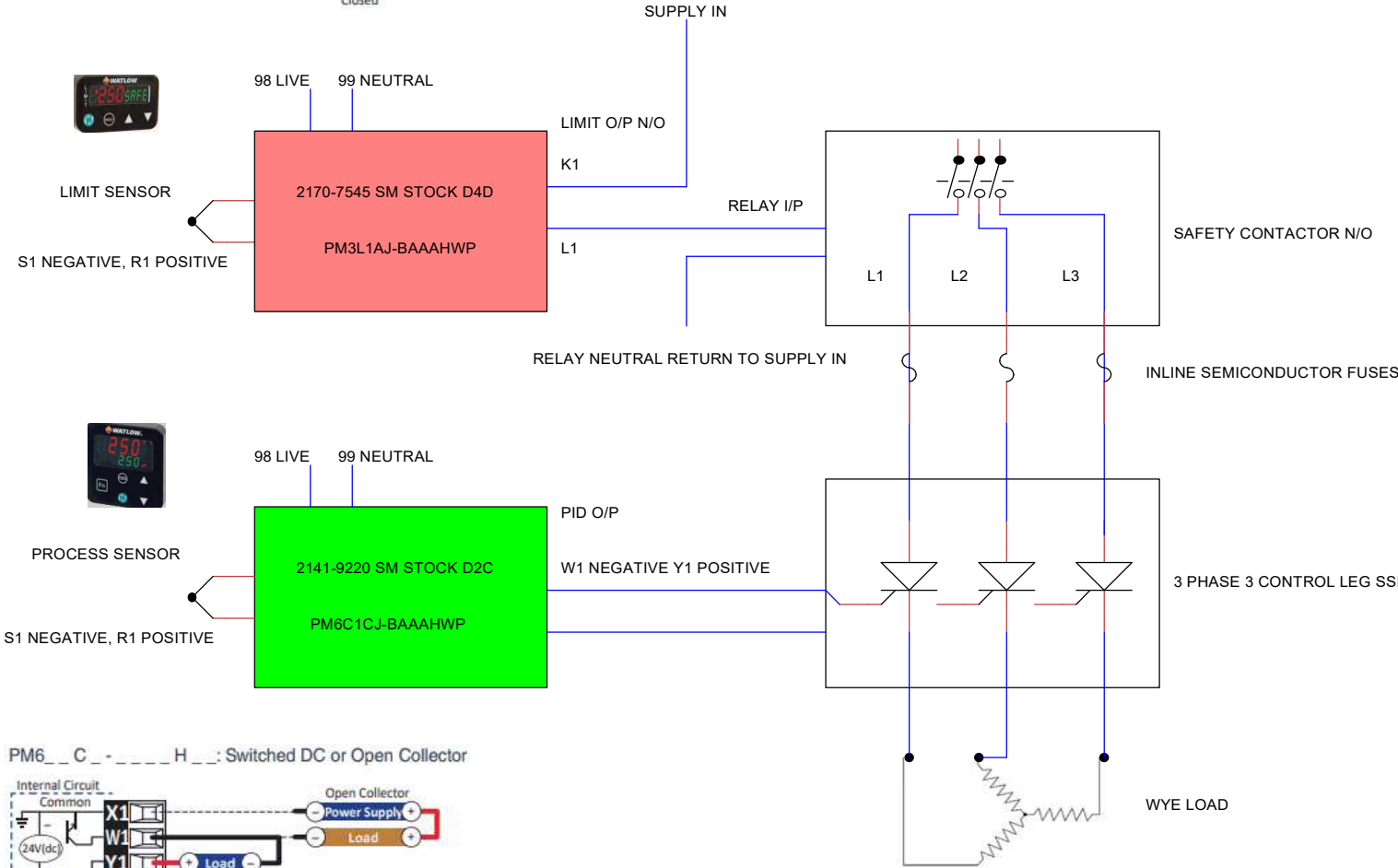


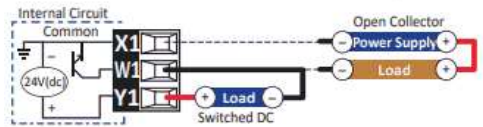
PM3 [E] AAAH :  
Mechanical Relay 5A Form C Relay



N.B VISUAL REPRESENTATION ONLY. RELEVANT INSTALLATION MANUALS  
MUST BE ACCESSED & REFERRED TO BY QUALIFIED ELECTRICAL INSTALLATION  
PERSONELL. NO LIABILITY CAN BE ACCEPTED FOR REFERENCES MADE THAT MAY DIFFER  
FROM ACTUAL APPLICATION PARAMETERS

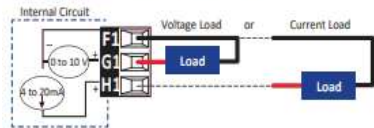


PM6 C - - - - H : Switched DC or Open Collector

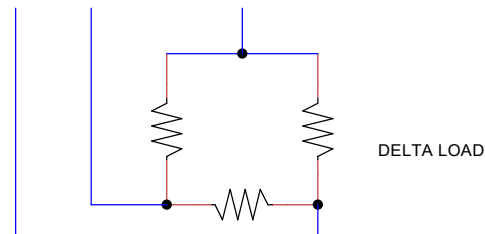


PM6 F - - - - H : Universal Process

0 to 20 mA: 800 Ω max. load  
0 to 10V: 1kΩ min. load



ALTERNATIVE CONFIGURED FOR PROCESS O/P



Title 3 PHASE 3 LEG SINGLE ZONE TYPICAL PID & LIMIT		
Author RB SENSEMASTER LTD		
File ... 3 phase 3 leg single zone Pid & Limit .dsn	Document	
Revision 2.0	Date 28/02/24	Sheets 1 of 1