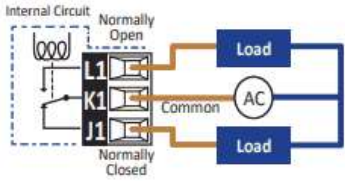
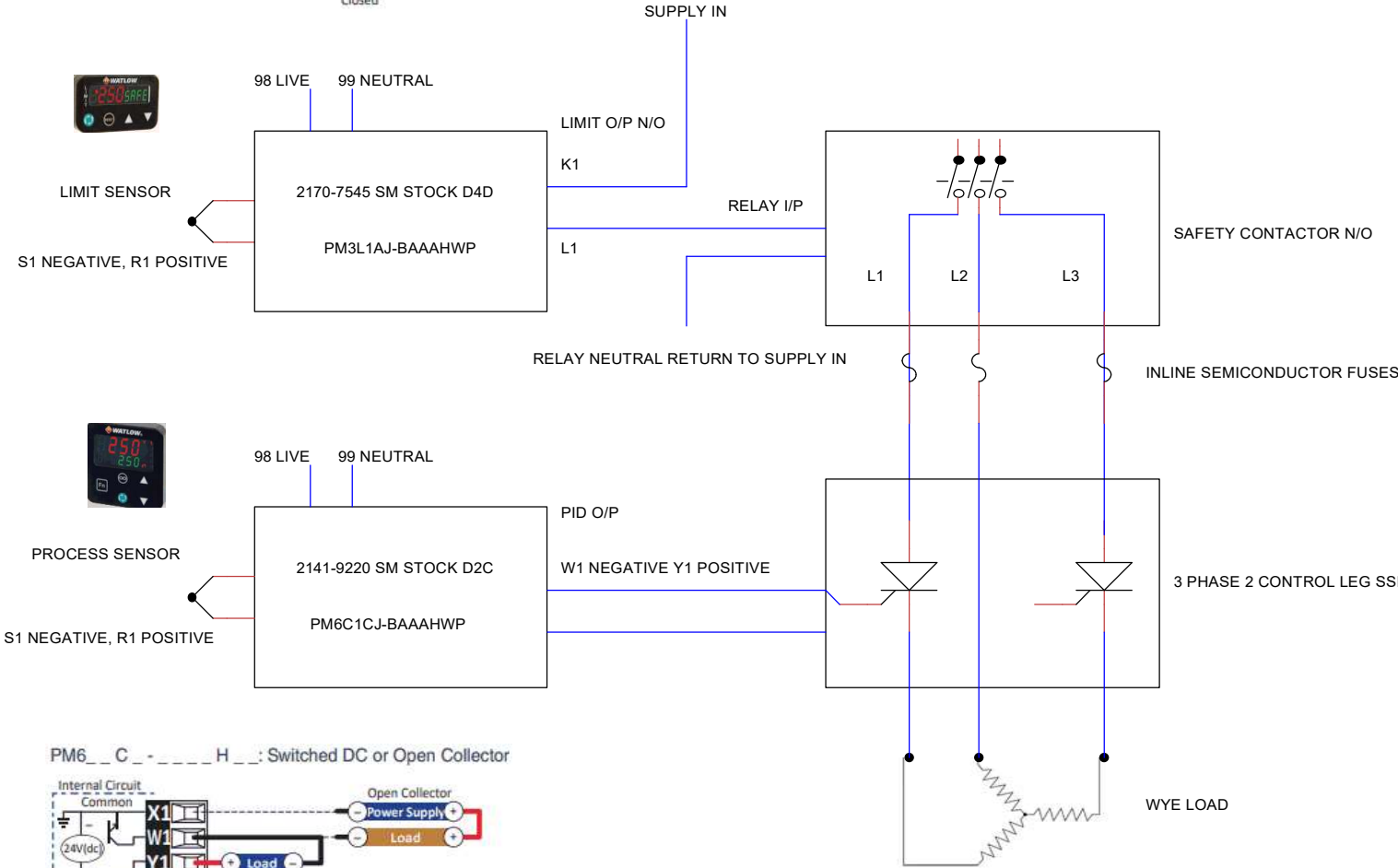


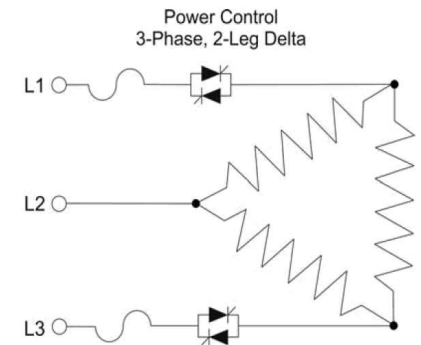
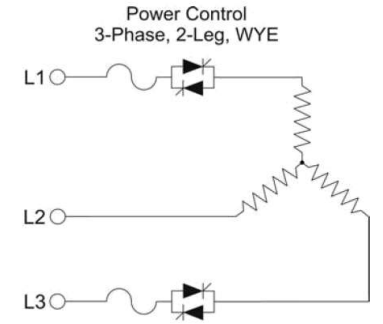
PM3 [E] AAAH :
Mechanical Relay 5A Form C Relay



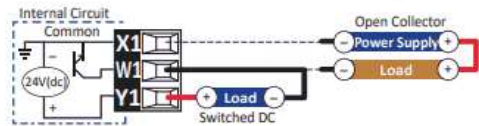
N.B VISUAL REPRESENTATION ONLY. RELEVANT INSTALLATION MANUALS
MUST BE ACCESSED & REFERRED TO BY QUALIFIED ELECTRICAL INSTALLATION
PERSONELL. NO LIABILITY CAN BE ACCEPTED FOR REFERENCES MADE THAT MAY DIFFER
FROM ACTUAL APPLICATION PARAMETERS



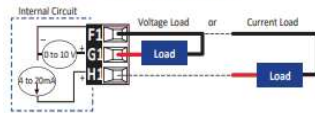
N.B 3 PHASE, 2 LEG POWER CONTROL IN
WYE CONFIGURATION HAS NO CENTRE TAP



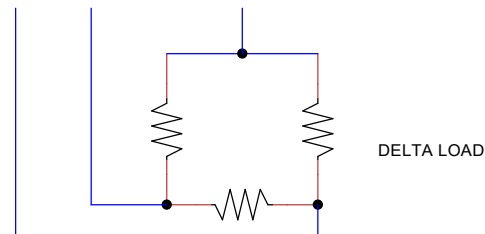
PM6 [C] H : Switched DC or Open Collector



PM6 [F] H : Universal Process
0 to 20 mA: 800 Ω max. load
0 to 10V: 1kΩ min. load



ALTERNATIVE CONFIGURED FOR PROCESS O/P



| | | |
|--|------------------|------------------|
| Title 3 PHASE 2 LEG SINGLE ZONE TYPICAL PID & LIMIT | | |
| Author RB SENSEMASTER LTD | | |
| File ... 3 phase 2 leg single zone Pid & Limit .dsn | Document | |
| Revision 2.0 | Date 28/02/24 | Sheets 1 of 1 |