



SENSEMASTER LTD

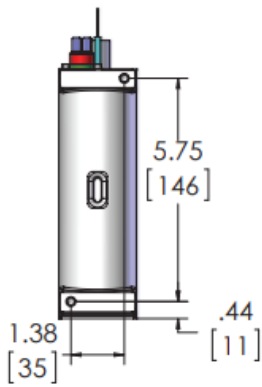
Sensemaster Ltd.
Unit 1 Severn Bridge Ind Est.
Caldicot, Monmouthshire. NP26 5PW

Sensing, Heating & Anti-static Solutions

CAST-X DIMENSIONAL SUMMARY:

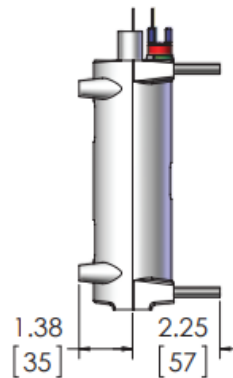
CAST-X 500 <https://sensemaster.co.uk/wp-content/uploads/2020/01/CAST-X-500.pdf>

NO ENCLOSURE



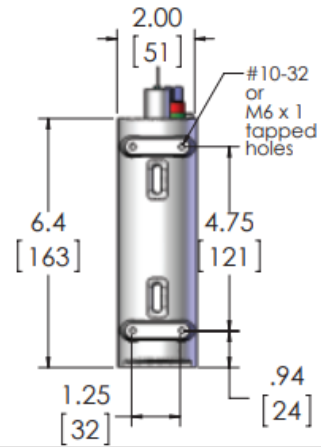
1.4kg

NO ENCLOSURE



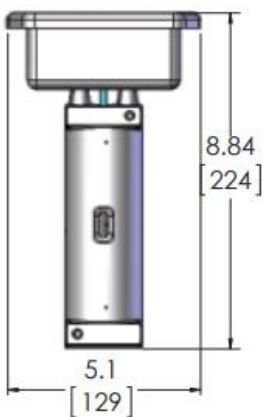
1.4kg

NO ENCLOSURE



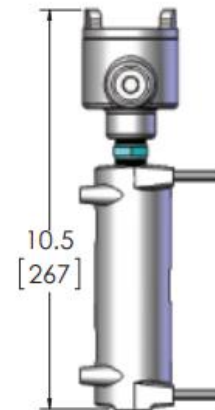
1.4kg

GENERAL-PURPOSE (NEMA 1) AND MOISTURE-RESISTANT (NEMA 4) ENCLOSURE



1.8kg

EXPLOSION-PROOF (NEMA7) ENCLOSURE



1.8kg



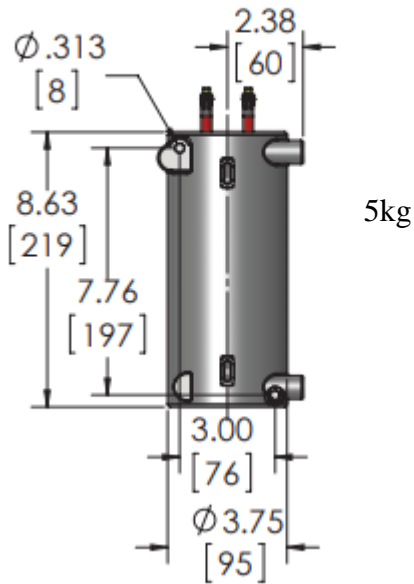
SENSEMASTER LTD

Sensemaster Ltd.
Unit 1 Severn Bridge Ind Est.
Caldicot, Monmouthshire. NP26 5PW

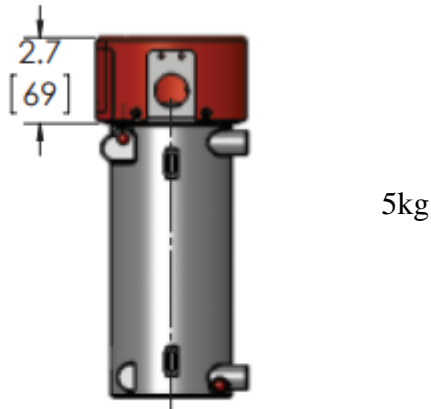
Sensing, Heating & Anti-static Solutions

CAST-X 1000 <https://sensemaster.co.uk/wp-content/uploads/2020/01/CAST-X-1000.pdf>

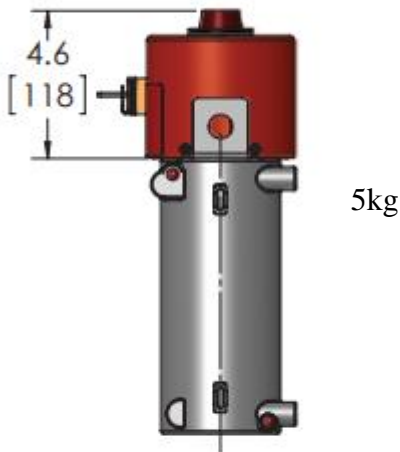
NO ENCLOSURE



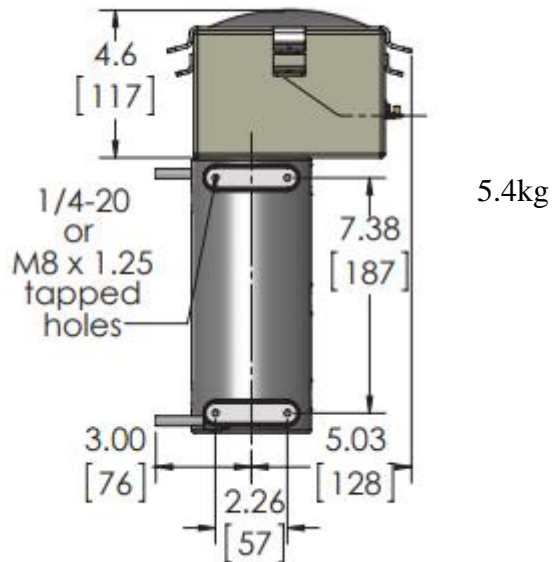
GENERAL-PURPOSE (NEMA 1) NO THERMOSTAT



GENERAL-PURPOSE (NEMA 1) WITH THERMOSTAT



MOISTURE-RESISTANT (NEMA 4) WITH OR WITHOUT THERMOSTAT





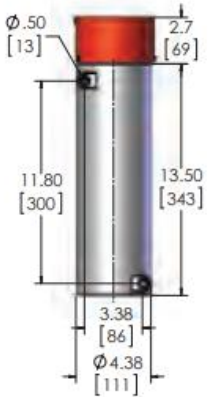
SENSEMASTER LTD

Sensemaster Ltd.
Unit 1 Severn Bridge Ind Est.
Caldicot, Monmouthshire. NP26 5PW

Sensing, Heating & Anti-static Solutions

CAST-X 2000 <https://sensemaster.co.uk/wp-content/uploads/2020/01/CAST-X-2000.pdf>

GENERAL-PURPOSE (NEMA 1) ENCLOSURE

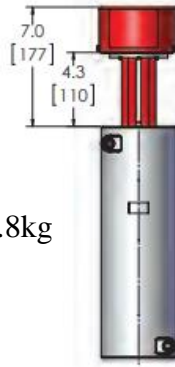


11.8kg

GENERAL-PURPOSE (NEMA 1) WITH THERMOSTAT



GENERAL-PURPOSE (NEMA 1) WITH STANDOFF, NO THERMOSTAT



11.8kg

GENERAL-PURPOSE (NEMA 1) WITH STANDOFF & THERMOSTAT



11.8kg

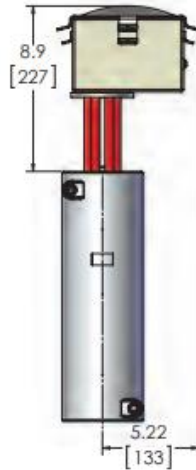
11.8kg

MOISTURE-RESISTANT (NEMA 4) WITH OR WITHOUT THERMOSTAT



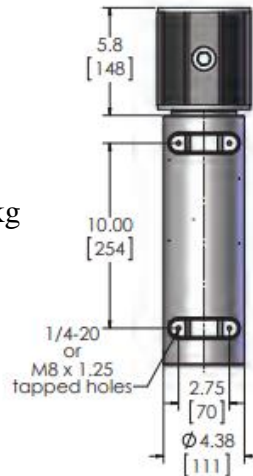
13.6kg

MOISTURE-RESISTANT (NEMA 4) WITH STANDOFF, WITH OR W/O THERMOSTAT



13.6kg

EXPLOSION-PROOF (NEMA 7)



14.5kg

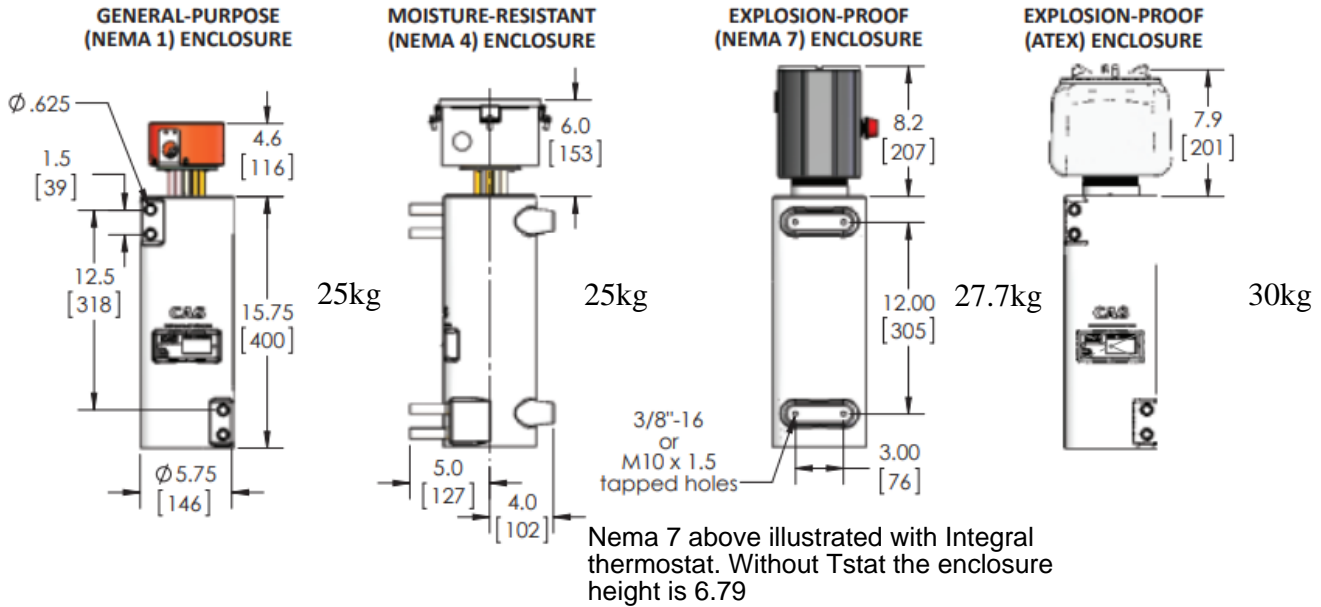


SENSEMASTER LTD

Sensemaster Ltd.
Unit 1 Severn Bridge Ind Est.
Caldicot, Monmouthshire. NP26 5PW

Sensing, Heating & Anti-static Solutions

CAST-X 2500 <https://sensemaster.co.uk/wp-content/uploads/2020/01/CAST-X-2500.pdf>



NEMA 1 ENCLOSURE



NEMA 4 ENCLOSURE



NEMA 7 ENCLOSURE



ATEX ENCLOSURE



INSULATING JACKET



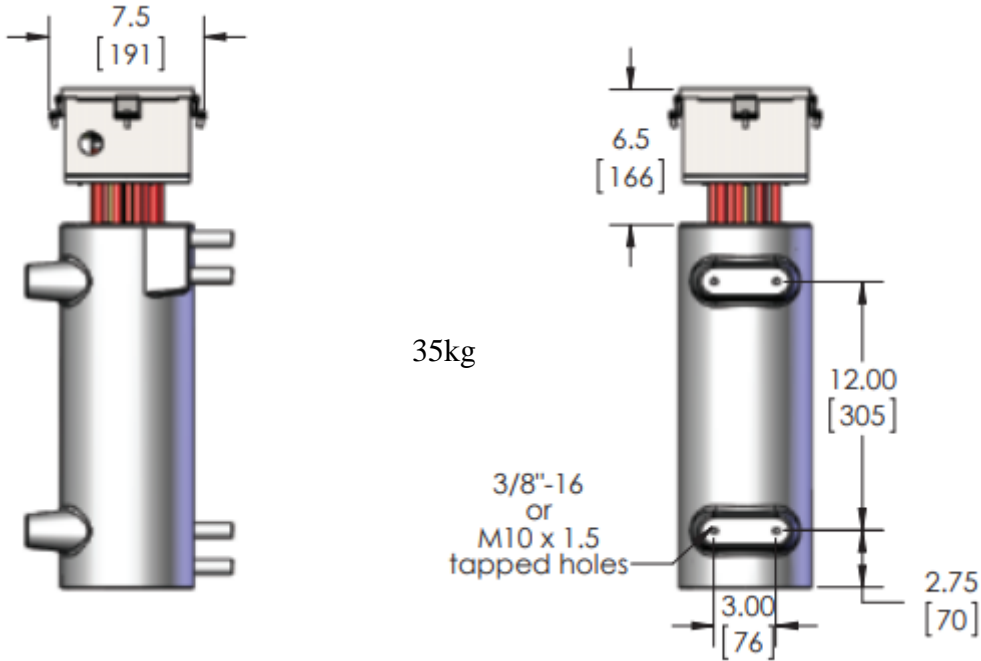
SENSEMASTER LTD

Sensemaster Ltd.
Unit 1 Severn Bridge Ind Est.
Caldicot, Monmouthshire. NP26 5PW

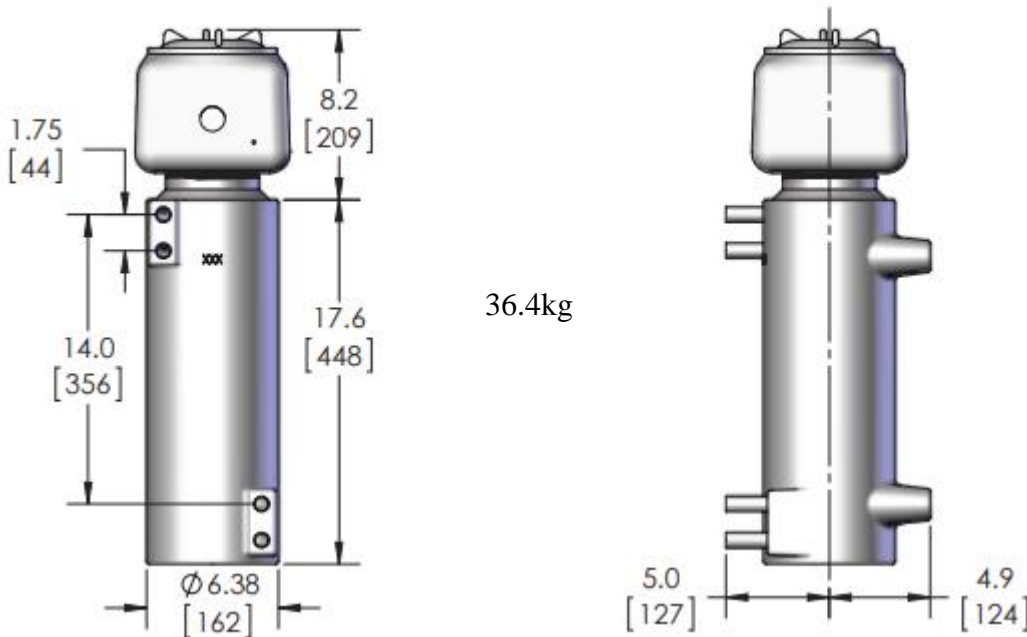
Sensing, Heating & Anti-static Solutions

CAST-X 3000 <https://sensemaster.co.uk/wp-content/uploads/2020/01/CAST-X-3000.pdf>

MOISTURE-RESISTANT (NEMA 4) ENCLOSURE

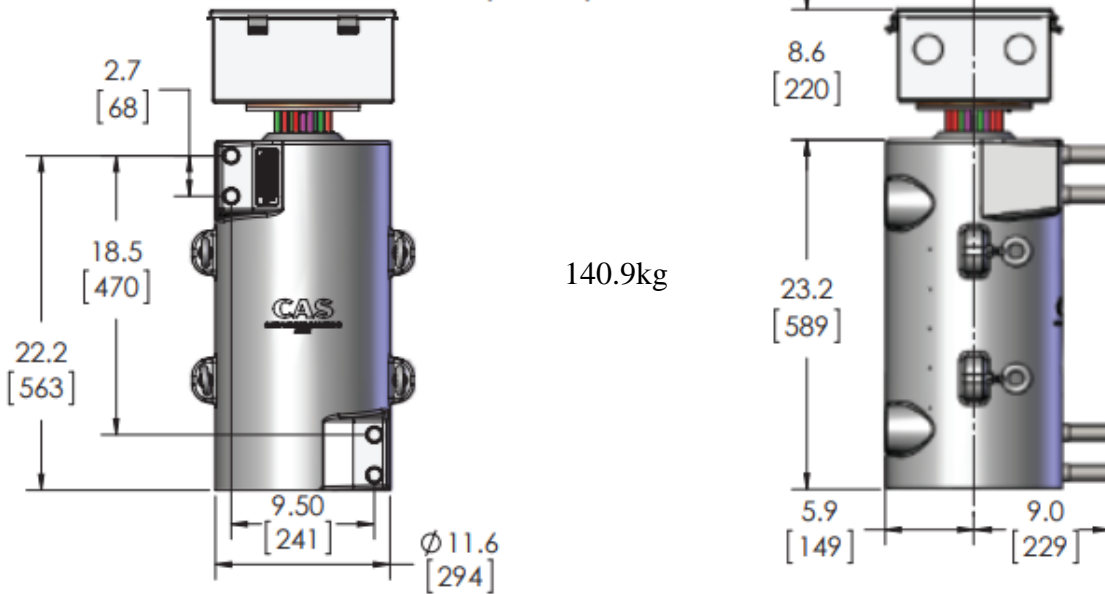


EXPLOSION-PROOF (NEMA 7 / ATEX) ENCLOSURE

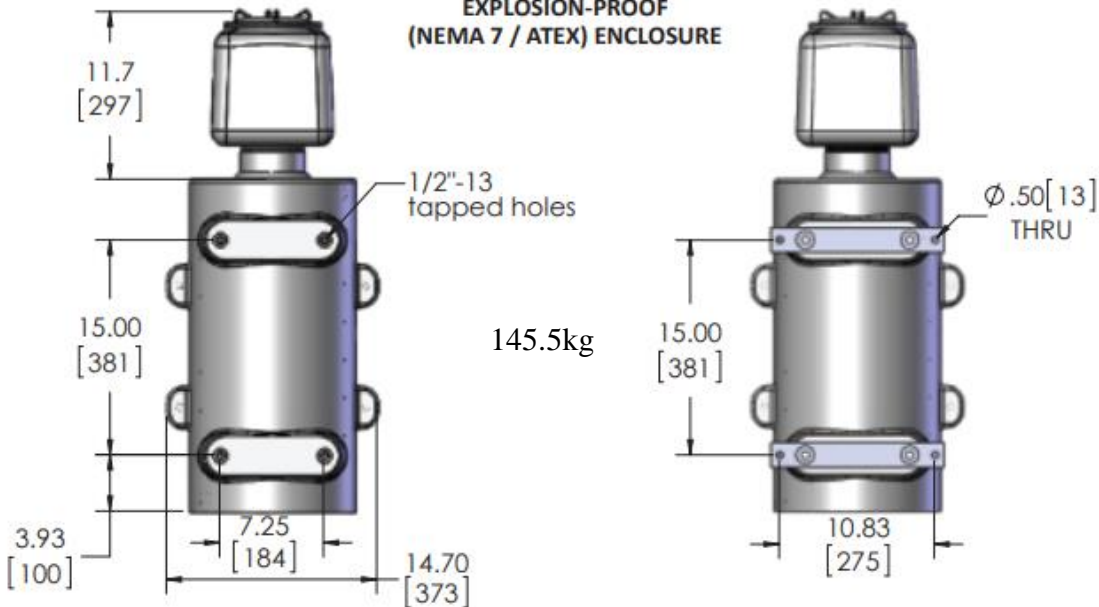


CAST-X 4000 <https://sensemaster.co.uk/wp-content/uploads/2020/01/CAST-X-4000.pdf>

**MOISTURE-RESISTANT
(NEMA 4) ENCLOSURE**



**EXPLOSION-PROOF
(NEMA 7 / ATEX) ENCLOSURE**





WEIGHTS OF CAST-X & PUR-X CIRCULATION HEATERS

<u>Part Number</u>	<u>Name</u>	<u>Enclosure</u>	<u>Weight (lbs.)</u>	<u>Weight (kg)</u>
WX6E2A	CAST-X 500	None	3	1.4
		NEMA 1 & 4	4	1.8
		NEMA 7	4	1.8
BX8L4M	CAST-X 1000	None	11	5
		NEMA 1	11	5
		NEMA 4	12	5.4
BX13J4G	CAST-X 2000	NEMA 1	26	11.8
		NEMA 4	30	13.6
		NEMA 7	32	14.5
BX25	CAST-X 2500	NEMA 1	55	25.0
		NEMA 4	55	25.0
		NEMA 7	61	27.7
		ATEX	66	30.0
BX17E6G	CAST-X 3000	NEMA 4	77	35.0
		NEMA 7	80	36.4
BX40	CAST-X 4000	NEMA 4	310	140.9
		NEMA 7	320	145.5
PX10	PUR-X 1000	NEMA 7	32	14.5
PX20	PUR-X 2000	NEMA 7	40	18.2

Please liaise with Sensemaster technical mail@sensemaster.co.uk 01291 422022 for further assistance

Further product information can be found on our website link <https://sensemaster.co.uk/cast-x-2/>