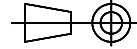
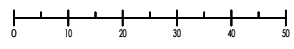


© TERWIN INSTRUMENTS LIMITED OWN THE COPYRIGHT OF THIS DRAWING WHICH IS NOT TO BE COPIED, REPRODUCED OR DISCLOSED TO A THIRD PARTY WITHOUT WRITTEN PERMISSION

IF IN DOUBT ASK DO NOT SCALE

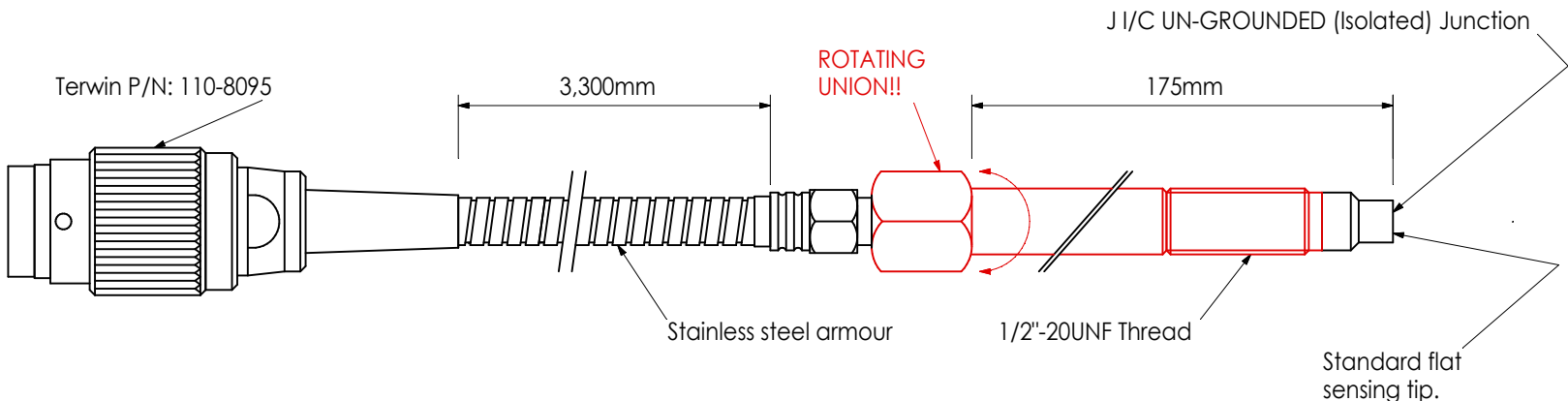


ALL DIMENSIONS IN MM'S

U.S.O.

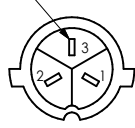
SCALE N.T.S

THIS IS A C.A.D. DRAWING DO NOT ALTER MANUALLY



**Works Instructions:**

Internal solder connections



- Check junction is isolated from sensor body.
- Use heatshrink under armour to prevent chaffing and use black & white heatshrink to cover thermocouple wires before soldering to 110-8095
- Plug Connections:  
PIN 1 = Positive (Black)  
PIN 2 = Screen (if available).  
PIN 3 = Negative (White).
- Check temperature using calibrated meter.
- Laser engrave body shaft.
- Put into shipping bag and use shipping label.

**Terwin Product Description & Part Number:**

Terwin MT32 series melt thermocouple. To have "J" I/C ISOLATED junction, 1/2-20UNF threads, flush sensing tip, 175mm rigid stem, 3,300mm of stainless steel armoured lead and fitted with in-line Binder bayonet plug (Terwin P/N: 110-8095) wired 1= positive, 2 = screen and 3 = negative.

Part Number: RAD004-303

**BOM:**

1 x MT32- 1/2-20- 0MM- 175MM- 3300MM- J- U  
1 x 110-8095

**Terwin Instruments Limited**

DRAWN	GAW	Terwin Drawing No.					
DATE	11.8.2020	RAD004-303 (a)					
CHECKED	I.R.	Title:		TOLERANCES U.O.S.:			
APPROVED	G.W.	Melt Thermocouple Assembly Drawing		.xxx ±0.005, .xxx ±0.05, .xx ±0.01 ANGLES ±0.5° CONCENTRICITY: ALL DIA'S WITHIN 0.05 T.I.R.		A	11.08.20
						ISS	DATE
						1ST ISSUE	
						DESCRIPTION	
						APP'D	