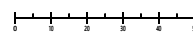


© Terwin Instruments Ltd., own the copyright of this drawing which is not to be copied, reproduced or disclosed to any third party without prior written permission.

IF IN DOUBT ASK  
DO NOT SCALE



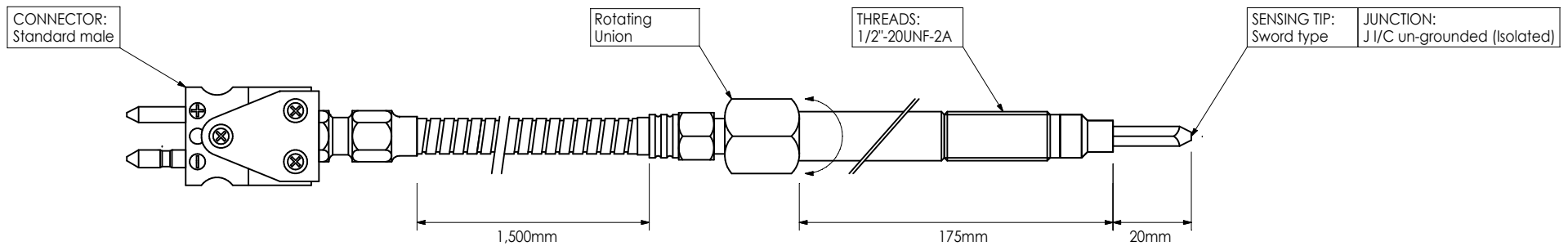
ALL DIMENSIONS  
IN MM'S U.S.O.

SCALE  
N.T.S

This is a CAD drawing.  
Do not alter manually.

1	2	3	4	5	6	7	8	9	10	11	12	13	14	15	16	17	18	19	20	21	22	23	24	25	26	27	28	29	30	31	32	33	34	35
---	---	---	---	---	---	---	---	---	----	----	----	----	----	----	----	----	----	----	----	----	----	----	----	----	----	----	----	----	----	----	----	----	----	----

A  
B  
C  
D  
E  
F  
G  
H  
I  
J  
K  
L  
M  
N  
O  
P  
Q  
R  
S  
T  
U



**Terwin Product Description & Part Number:**

Terwin MT32 Series Melt Thermocouple.

To have 1/2-20UNF-2A threads with rotating union, 20mm sword tip, 175mm rigid stem, 1,500mm of stainless steel armoured lead fitted with standard male thermocouple connector. Thermocouple type J I/C UN-GROUNDED junction.

Part Number: MT32- 1/2-20- 20MM- 175MM- 1500MM- J- U

<p><b>Terwin Instruments Ltd.</b></p>	Drawn By:	GW	Drawing No:	MT32- 1-2-20- 20MM- 175MM- 1500MM- J- U (a)	Material U.O.S.:	.	ISS	DATE	DESCRIPTION	APP'D
	Date:	02.12.21				.	A	02.12.2021	1st Issue	GAW
	Checked:	IDR	Title:	Terwin MT32 Series Melt Temperature Sensor	Tolerances U.O.S.:	.xxx ±0.005, .xxx ±0.05, .xx ±0.01				
	Approved:	GAW				Angles ±0.5° Concentricity: All diameters within ±0.5 T.I.R. Finish: N6				

T:\Drawings\MT Series\Finished Products\MT32- 1-2-20- 20MM- 175MM- 1500MM- J- U (a).FC7