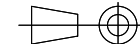
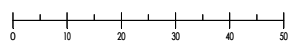


1 © TERWIN INSTRUMENTS LIMITED OWN THE COPYRIGHT OF THIS DRAWING WHICH IS NOT TO BE COPIED, REPRODUCED OR DISCLOSED TO A THIRD PARTY WITHOUT WRITTEN PERMISSION

2 IF IN DOUBT ASK DO NOT SCALE



3 ALL DIMENSIONS IN MM'S

4 U.S.O.

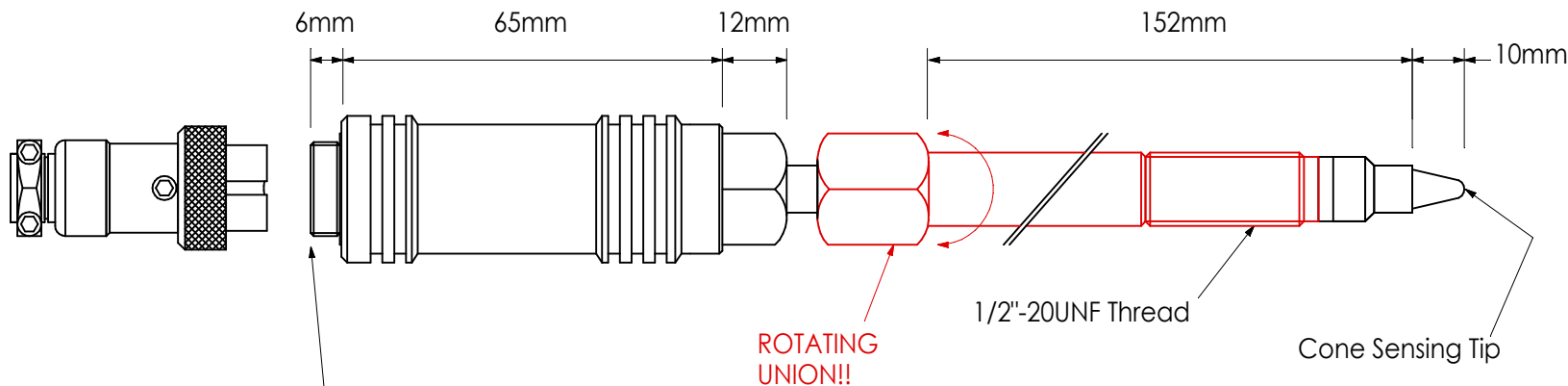
5 SCALE N.T.S

6 THIS IS A C.A.D. DRAWING DO NOT ALTER MANUALLY

A



B

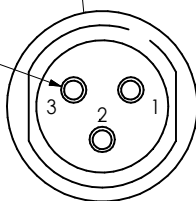


C

D

Wiring Instructions:

Housing Connector
Internal Solder Connections



Plug Connections:

- PIN 1 = Positive (+)
- PIN 2 = N/C
- PIN 3 = Negative (-)

Terwin Product Description & Part Number:

Terwin MT13 Series melt thermocouple.

To have 1/2-20UNF threads, 10mm cone sensing tip, 152mm rigid stem with rotating union and fitted with 3-Pin connector wired Pin 1 = Positive and Pin 3 Negative.

Thermocouple type J I/C with UN-GROUNDED (isolated) junction.

E

Terwin Instruments Limited

DRAWN	GAW
DATE	19.03.21
CHECKED	I.R.
APPROVED	G.W.

Terwin Drawing No.
MT13- 1-2-20- 10MM- 152MM- 0MM- J- U (b)

Title:
Melt Thermocouple Assembly Drawing

TOLERANCES U.O.S.:
.xxxx ±0.005, .xxx ±0.05, .xx ±0.01
ANGLES ±0.5°
CONCENTRICITY: ALL DIA'S WITHIN 0.05 T.I.R.

ISS	DATE	DESCRIPTION	APP'D
A	19.03.21	1ST ISSUE	G.W.