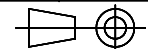
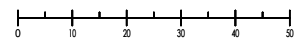


© TERWIN INSTRUMENTS LIMITED OWN THE COPYRIGHT OF THIS DRAWING WHICH IS NOT TO BE COPIED, REPRODUCED OR DISCLOSED TO A THIRD PARTY WITHOUT WRITTEN PERMISSION

IF IN DOUBT ASK
DO NOT SCALE



ALL DIMENSIONS
IN MM'S

U.S.O.

SCALE
N.T.S

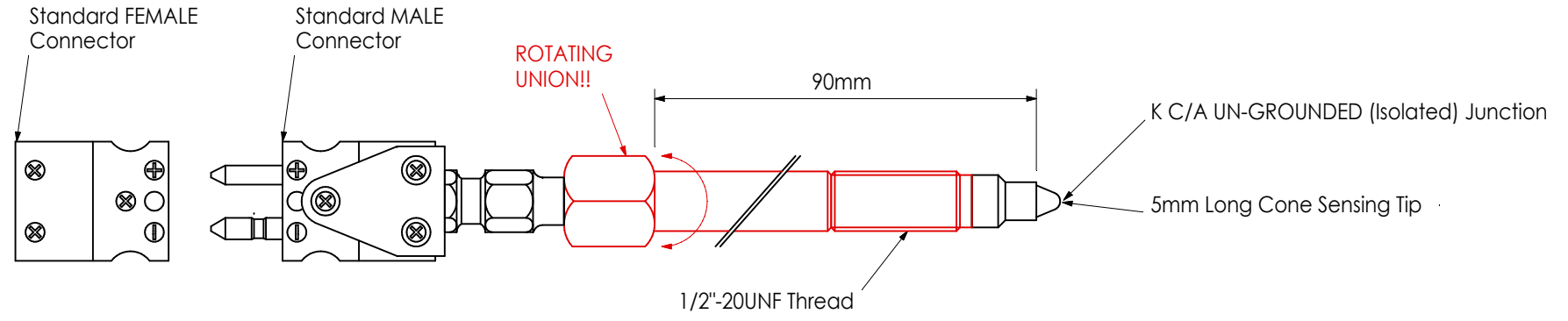
THIS IS A C.A.D. DRAWING
DO NOT ALTER MANUALLY

A

B

C

D

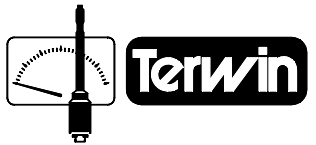


Terwin Product Description & Part Number:

Terwin MT12 Melt thermocouple. To have 1/2-20UNF threads with rotating union, 5mm cone tip protrusion, 90mm rigid stem and fitted with in-line standard male thermocouple plug.

Thermocouple type K C/A with ISOLATED junction.

Part Number: MT12- 1/2-20UNF- 5MM- 90MM- 0- K- U



Terwin Instruments Limited	DRAWN	GAW	Terwin Drawing No.									
	DATE	13.07.20	MT12- 1-2-20- 5MM- 90MM- 0MM- K- U (a)									
	CHECKED	I.R.	Title:		Melt Thermocouple Assembly Drawing		TOLERANCES U.O.S.: .xxx ±0.005, .xxx ±0.05, .xx ±0.01 ANGLES ±0.5° CONCENTRICITY: ALL DIA'S WITHIN 0.05 T.I.R.		A	13.07.20	1ST ISSUE	G.W.
	APPROVED	G.W.					ISS	DATE	DESCRIPTION	APP'D		