



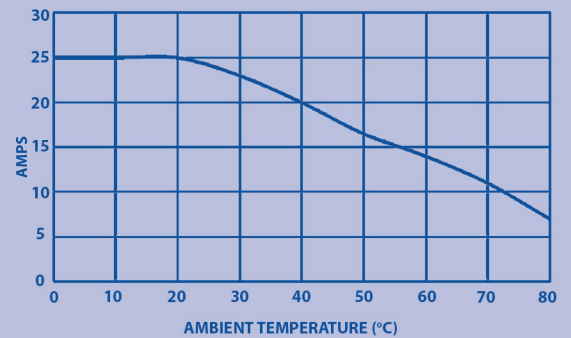
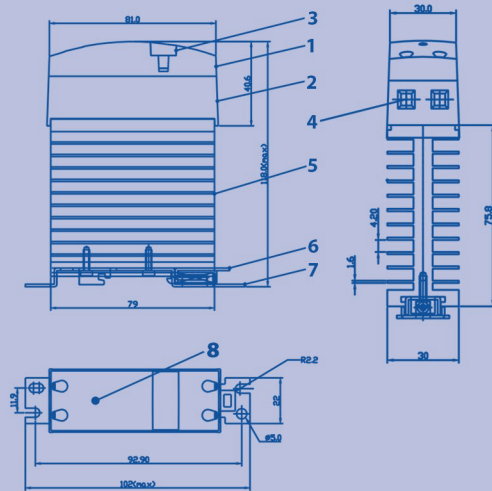
PART NUMBER:
SSR25A-DIN-240V-DC

FEATURES:

25 amp SCR with snubber • 24 - 240 VAC switching • Low noise zero volt turn on
 Built in safety cover • DC trigger • Input status LED

1. COVER // 2. CASE // 3. LID // 4. SPACER // 5. HEAT SINK // 6. CLIP ASSEMBLY // 7. CLAMP // 8. LED

MECHANICAL DRAWING



DERATING CURVE

SPECIFICATIONS:

	PARAMETER	SYMBOL	UNIT	INFORMATION
INPUT	Control Voltage Range		Vdc	3 - 32
	Control Current Range		mA	8 - 30
	Pick-Up Voltage		Vdc	3.0
	Drop-Out Voltage		Vdc	1.0
	Input Resistance			Current Regulator
OUTPUT	RMS ON-STATE CURRENT	I_T	A	
	Mains Control Volt		Vac	24 - 240
	Repetitive Peak Off State Voltage	Vdrm	Vpk	600
	On-State Voltage Drop	Vtm	Vac	1.8
	Off-State Leakage Current @ Rated Voltage	Idrm	mA	5
	Peak One Cycle Surge Current (No-Rrep)	ITSM	A	800
	Holding Current	IH	mA	250
	Critical Rate of Rise of off State Voltage	dv/dt	V/μs	500
	Frequency Range	f	Hz	47 ~ 63
	Storage Temperature	Ts	°C	- 30 to + 100
	Operating Temperature	To	°C	- 30 to + 80
	Fusing Current	I_T^2	A ² S	3700