

ANTI-STATIC BARS

3014 24 V DC IONISING BAR

The 3014 introduces new standards in performance and size in a 24 V DC Static Eliminator. It offers market leading performance in a very compact Bar.

Static neutralisation to meet the requirements of high performance machinery. Integrated high voltage power supply, requiring only a low voltage 24 V DC input.

- > 7.5 kV of ionisation power.
- > Compact size for compatibility with modern machinery.
- > Emitters made from tungsten for best long term performance.
- > Resistively coupled for shockless operation.
- > LED status indication: Bar OK: (green), Fault: (red). Clean Me: (alternating red/green)
- > Remote monitoring of operational status and cleanliness through 24 V signals.
- > Effective length = 20 mm less than overall length.
- > Standard M8 4 pin connector.
- > Best operational distance: 20 mm to over 150 mm.
- > Protected against undervoltage, overload and reverse polarity wiring.
- > Cleanroom compatible to ISO4.
- > Options:
 - Airboost
 - Airknife Mounted



Specification

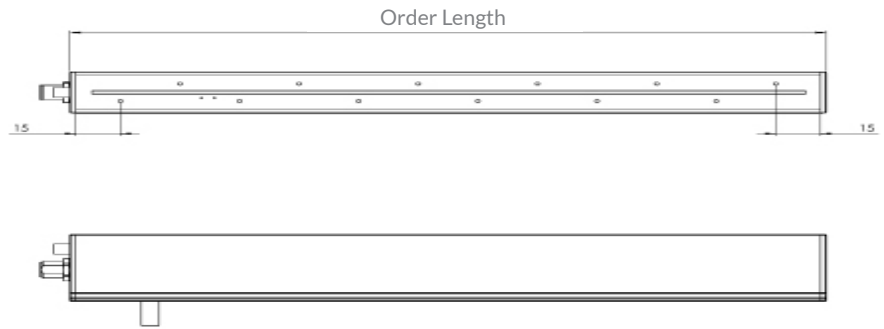
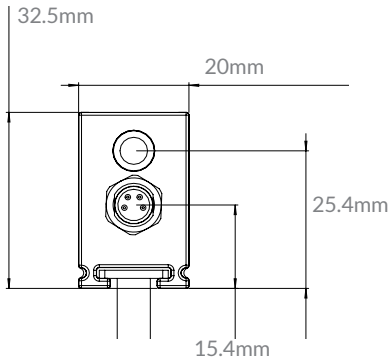
Electrical Supply:	Input: 24 V DC (21-27 V), max current 0.5 A. M8 x 4 pin connector. M8 x 4 core cable to be ordered separately. 90 -250 V PSU also available.
Size and construction:	Profile 32.5 x 20 mm. Minimum length 250 mm then in 40 mm steps to 4010 mm. FR-ABS Industrial grade extrusion, epoxy resin, tungsten. IP66. Fully sealed.
Weight:	0.25 m = 0.28 kg then 0.51 kg per additional metre.
System Monitoring:	LED on endcap: green = all OK green/red flashing = needs cleaning red = fault Remote monitoring makes this information available with a 24 V signal from the Bar to a PLC or other destination. This voltage is taken from the Bar - no additional power source is required. Compatible with IEC 61131-2 'Type 1' and 'Type 3' PLC inputs. Signal protected against shorting and mis-wiring.
High Voltage Output:	Up to 7.5 kV supply integrated into Bar.
Environment:	0 to 55°C, Maximum Humidity 70% non-condensing.
Standards:	CE, UL and CB.

Applications

For modern machinery and production processes within the operation distance of 20 - 150 mm.
 Ideal as a more powerful alternative to conventional AC static eliminators.
 No need for additional power supply. The 3014 comes with electronics and 7.5 kV fully integrated.

- Minimum length 250 mm, then in 40 mm steps up to 4010 mm.
- Operating distance from 20 mm to 150 mm.

Dimensions

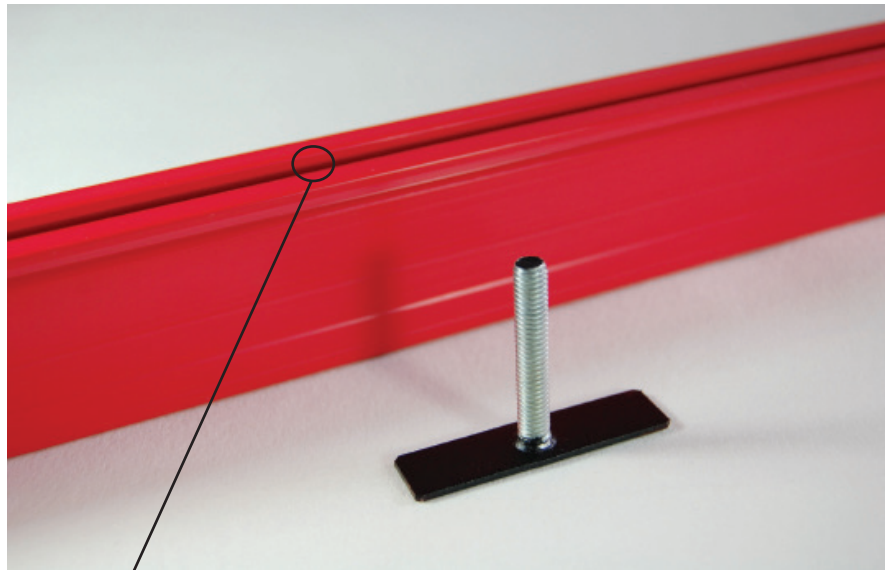


*Endcaps add 2mm at each end

Mounting

'T' M6 x 40 stud and flange nut. Two mounting blocks for Bars up to 1m, plus 1 extra for every additional 500 mm.

Other stud lengths are available on request, please contact the manufacturer for options.



The 'T' fixing bracket slides into the slot in the bottom of the Bar.

Accessories/Spares

Description	Part No.	Description	Part No.
3 m cable with 180° connector	80892	3 m cable with 90° connector	80933
5 m cable with 180° connector	80930	5 m cable with 90° connector	80934
7.5 m cable with 180° connector	80931	7.5 m cable with 90° connector	80935
10 m cable with 180° connector	80932	10 m cable with 90° connector	80936
Additional mounting set	30248	AC to 24V DC power supply	E3024-PSU

Cables must be ordered separately in addition to Bar.
 They have standard M8 4 pin female connectors.

ANTI-STATIC BARS - SHORT RANGE

Model 3014

A compact 24 V DC Static Eliminator Bar designed as an alternative to AC Bar and Power Unit systems, or for use when a 3024 is dimensionally too large for an application.

Available in lengths from 250mm up to 4010mm in steps of 40mm.

Length	3014
250mm	
290mm	
330mm	
370mm	
410mm	
450mm	
490mm	
530mm	
570mm	
610mm	
650mm	
690mm	
730mm	
770mm	
810mm	
850mm	
890mm	
930mm	
970mm	
1010mm	
40mm steps up to 4010	

Fitted with M8 4 Pin male connector. Prices above do not include cable. Please see Options.



Model 3014

Options:	Code
External Power Supply	E3024-PSU
Extra 40mm Mounting Set	30248
15mm Mounting Set	302411
20mm Mounting Set	302410
25mm Mounting Set	30249
3m Cable + M8 4 Pin Conn	80892
5m Cable + M8 4 Pin Conn	80930
7.5m Cable + M8 4 Pin Conn	80931
10m Cable + M8 4 Pin Conn	80932
3m Cable + 90° M8 4 Pin Conn	80933
5m Cable + 90° M8 4 Pin Conn	80934
7.5m Cable + 90° M8 4 Pin Conn	80935
10m Cable + 90° M8 4 Pin Conn	80936
M8 male to M8 female 4-pin extension for 31101 (2m)	80937

Important Ordering Information	
Please use the following matrix when ordering	
A	B
Model	Overall Length (4 digits)
For example:	
A	B
3014	0250mm