

# Protective devices – when it gets dirty





**Sensors are used in many different places. Work gets dirty sometimes. Moisture, dust, intense sunlight or mechanical stresses can stretch the sensors' capabilities or even destroy them. Protective devices from SICK ensure perfect functionality of the SICK sensors. Even under extreme conditions they counteract harmful environmental effects to protect the sensor.**

Universal bar clamp systems

mounting brackets

Clamping and alignment brackets

protective devices

Mountings for cylinder sensors

Special accessories

# SICK

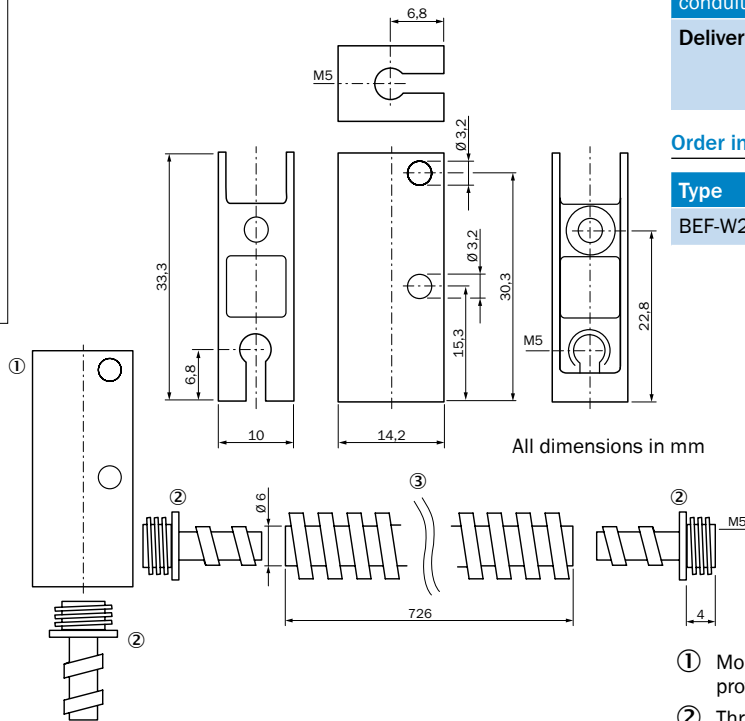
## PROTECTIVE DEVICES



## BEF-W2S-C

Protective housing with cable protection

Dimensional drawing



All dimensions in mm

### Technical data

Material	Aluminium
Angle bracket	Aluminium
Flexible metal conduit	Steel, chromeplated
Delivery	Mounting hardware not included

### Order informations

Type	Order no.
BEF-W2S-C	2033270



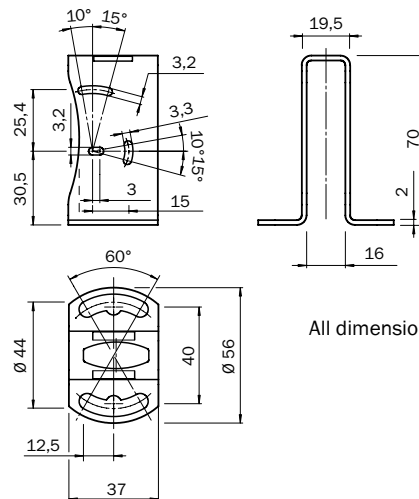
- ① Mounting brackets damage protection for cables
- ② Threaded adapter for metal flexible conduit
- ③ Flexible metal conduit/cable protection



## BEF-SW-W4S

Protective bracket for floor mounting

Dimensional drawing



All dimensions in mm

### Technical data

Material	Stainless steel (1.4571)
Delivery	incl. mounting material

### Order informations

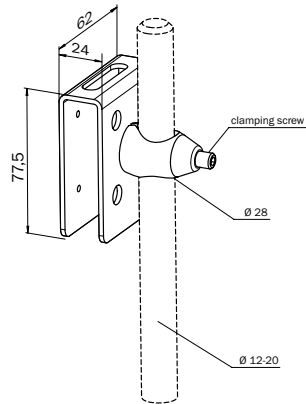
Type	Order no.
BEF-SW-W4S	2051497





**BEF-SG-W12-3**  
Protection hood for  
Universal bar clamp systems

Dimensional drawing



All dimensions in mm



**Technical data**

Material	
Protective housing	Steel, galvanised
Clamps	zinc, die-cast
Delivery	incl. universal bar clamp and mounting material

**Order informations**

Type	Order no.
BEF-SG-W12-3	2045175

Universal bar clamp systems

mounting brackets

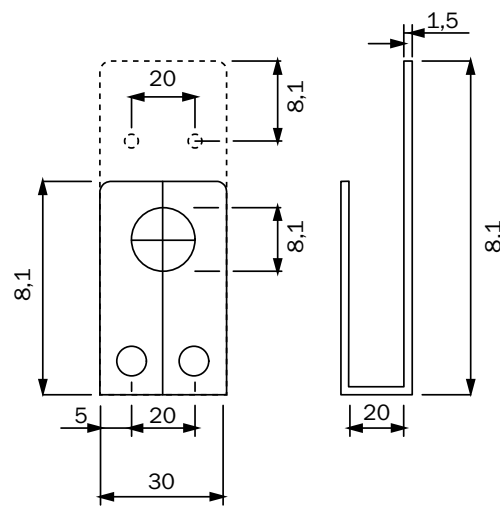
Clamping and alignment brackets

protective devices



**BEF-SG-W14**  
Protection hood for  
Universal bar clamp systems

Dimensional drawing



All dimensions in mm



**Technical data**

Material	
Protective housing	Steel, galvanised
Clamps	zinc, die-cast
Delivery	incl. universal bar clamp and mounting material

**Order informations**

Type	Order no.
BEF-SG-W14	2058124

Mountings for cylinder sensors

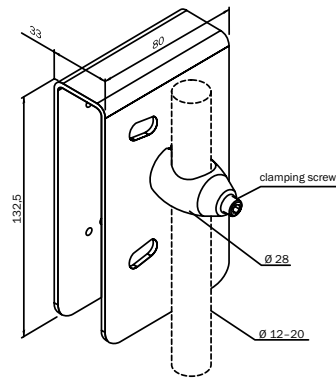
Special accessories



## BEF-SG-W27

Protection hood for  
Universal bar clamp systems

Dimensional drawing



All dimensions in mm

### Technical data

Material	Steel, galvanised
Protective housing	Steel, galvanised
Clamps	zinc, die-cast
Delivery	Universal clamp and mounting hardware included

### Order informations

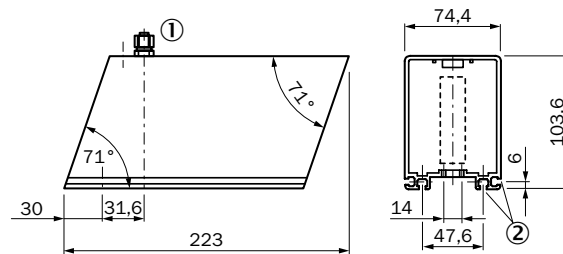
Type	Order no.
BEF-SG-W27	2039601



## OBS-W24

Dust protection tube  
with air purging

Dimensional drawing



All dimensions in mm

- ① Fast action screw fitting for hose internal diameter 6 mm
- ② Running nut channel for M5 nut (included in delivery)

### Technical data

Material	Aluminium, anodised
Delivery	incl. mounting material

### Order informations

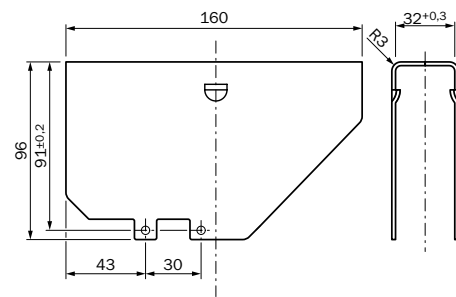
Type	Order no.
OBS-W24	2015069





**OBW-W24**  
Weather-protection hood

Dimensional drawing



All dimensions in mm

Technical data

Material	Aluminium, anodised
Delivery	incl. mounting material

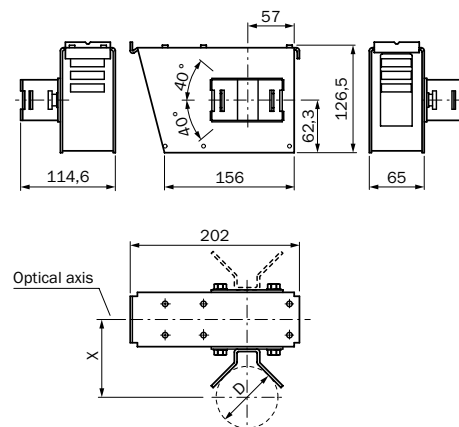
Order informations

Type	Order no.
OBW-W24	2015070



**WSG1-01**  
Weather-protection hood

Dimensional drawing



All dimensions in mm

Technical data

Material	Aluminium, anodised
Delivery	incl. mounting material

Order informations

Type	Order no.
WSG1-01	1018470

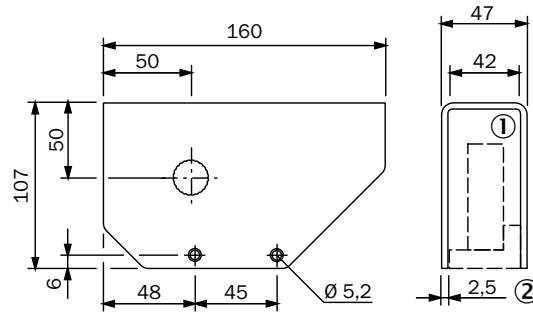




## OBW-KHS-M01

Weather protection hood for Universal bar clamp systems

Dimensional drawing



All dimensions in mm

- ① Sensor
- ② Base holder with mounting material included with delivery

### Technical data

Material	Steel, galvanised
Delivery	incl. mounting material

### Order informations

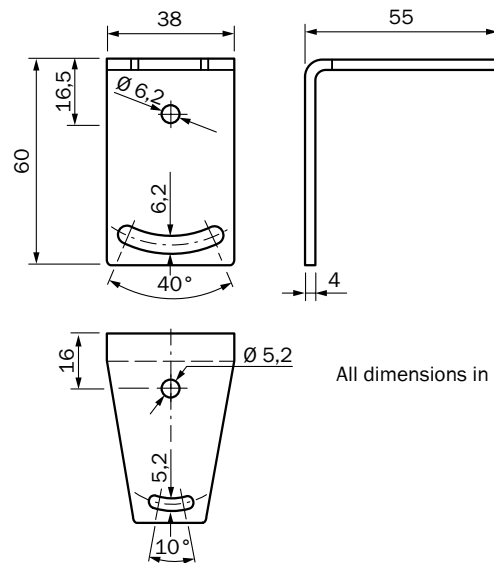
Type	Order no.
OBW-KHS-M01	2023240



## BEF-WN-OBW

Mounting brackets for weather protection hood OBW-KHS-M01

Dimensional drawing



All dimensions in mm

### Technical data

Material	Steel, galvanised
Delivery	incl. mounting material

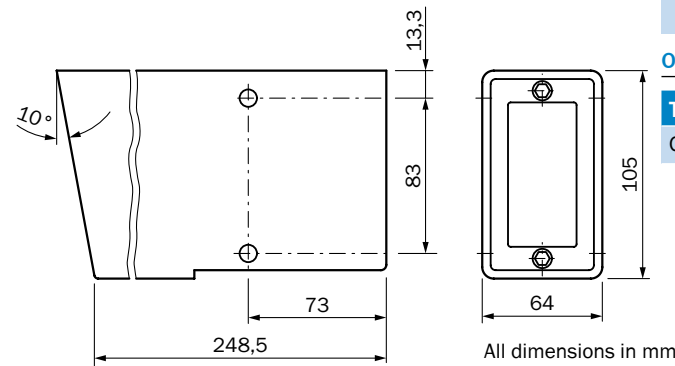
### Order informations

Type	Order no.
BEF-WN-OBW	2023251



**OBS-W45**  
Dust protection tube

Dimensional drawing



**Technical data**

<b>Material</b>	Aluminium, painted
<b>Delivery</b>	incl. mounting material

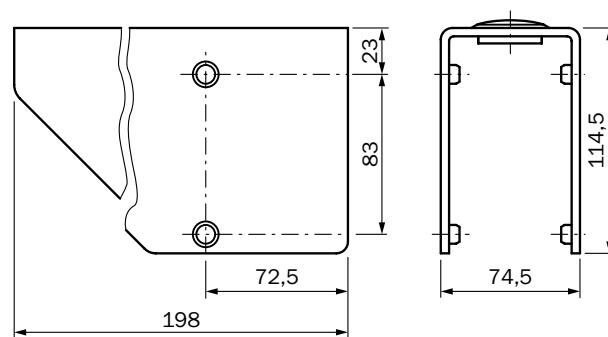
**Order information**

<b>Type</b>	<b>Order no.</b>
OBS-W45	2011432



**OBW-W45**  
Weather protection hood

Dimensional drawing



All dimensions in mm

**Technical data**

<b>Material</b>	Aluminium, painted
<b>Delivery</b>	incl. mounting material

**Order information**

<b>Type</b>	<b>Order no.</b>
OBW-W45	2011431



Universal bar clamp systems

mounting brackets

Clamping and alignment brackets

protective devices

Mountings for cylinder sensors

Special accessories