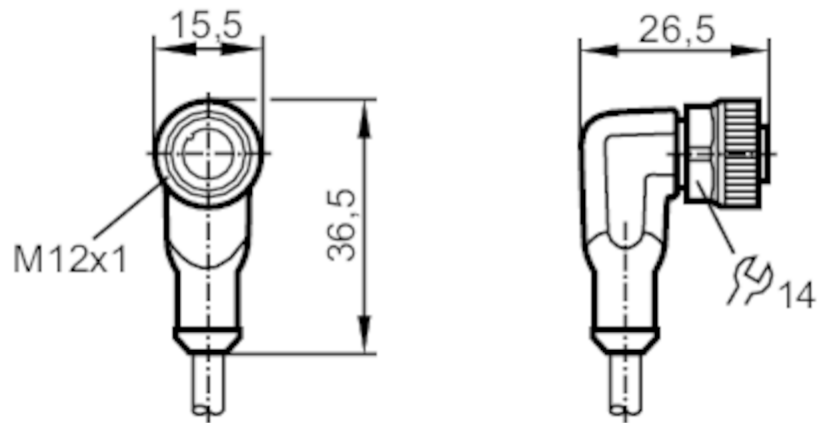


# EVC01E



## PNP / NPN inverter module

Converter PNP-NPN



### Application

System	Halogen-free; gold-plated contacts; Drag chain suitability
Compatible with paint	yes

### Electrical data

Operating voltage tolerance	[%]	10
Operating voltage	[V]	< 24 DC
Protection class		II
Max. current load total	[A]	0.1

### Outputs

Max. voltage drop switching output DC	[V]	2
---------------------------------------	-----	---

### Operating conditions

Ambient temperature	[°C]	-25...60
Ambient temperature (moving)	[°C]	-25...60
Protection		IP 65; IP 67; IP 68; IP 69K

### Tests / approvals

MTTF	[years]	17562
------	---------	-------

# EVC01E



## PNP / NPN inverter module

Converter PNP-NPN

Mechanical data		
Weight [g]	161	
Dimensions [mm]	26.5 x 15.5 x 36.5	
Material	housing: TPU (urethane) black; sealing: FKM	
Material nut	brass, nickel-plated	
Drag chain suitability	yes	
Drag chain suitability	Bending radius for flexible applications	min. 10 x cable diameter
	Travel speed	max. 3.3 m/s for a horizontal travel length of 5 m and max. acceleration of 5 m/s <sup>2</sup>
	Bending cycles	> 5 Mio.
	Torsional strain	± 180 °/m

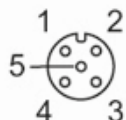
Remarks	
Remarks	for sensors to IEC 60947-5-2 with normally open operation
Notes	Please see the technical note under "Downloads"
Pack quantity	1 pcs.

### Electrical connection

Cable: 5 m, PUR, Halogen-free, black, Ø 4.3 mm; 4 x 0.34 mm<sup>2</sup> (42 x Ø 0.1 mm )

### Electrical connection - Socket

Connector: 1 x M12, angled; Locking: brass, nickel-plated; Contacts: gold-plated; Tightening torque: 0.6...1.5 Nm



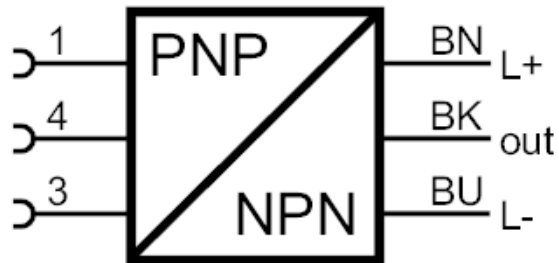
# EVC01E



## PNP / NPN inverter module

Converter PNP-NPN

### Connection



Core colors :

BK =	black
BN =	brown
BU =	blue
WH =	white