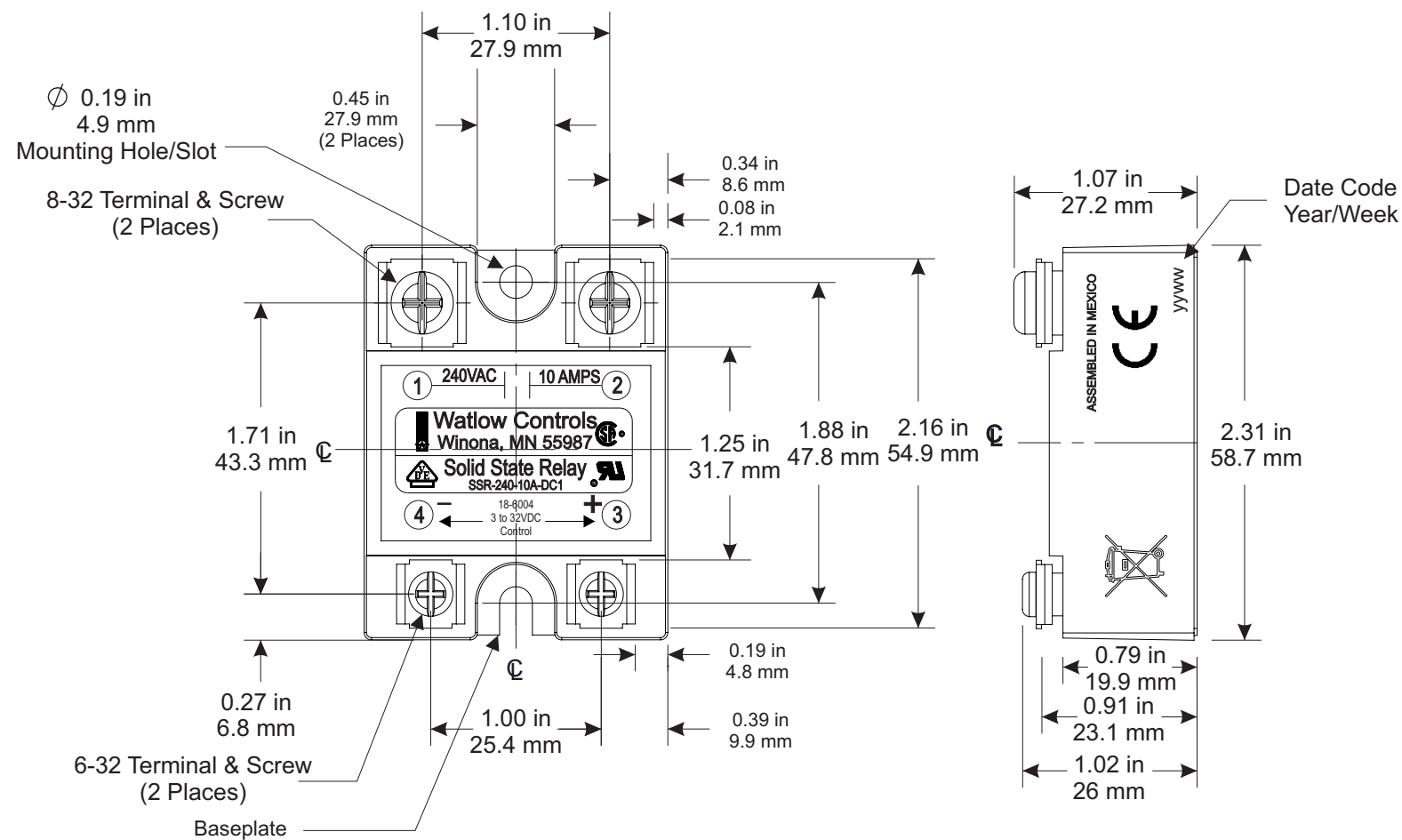
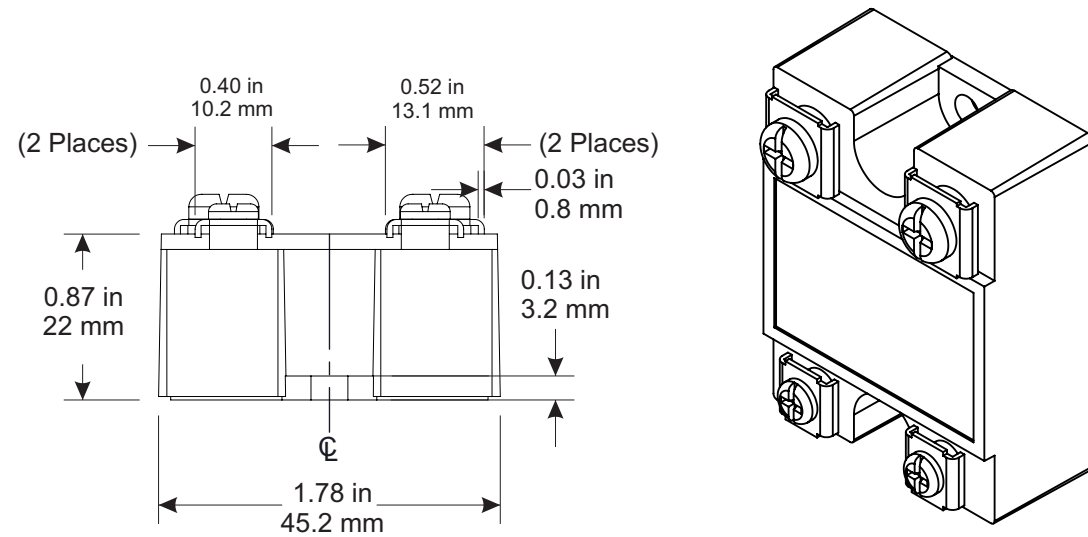


Watlow SSR-240-10A-DC1



Tolerances: ± 0.02 in / 0.5 mm.

