



SENSEMASTER LTD

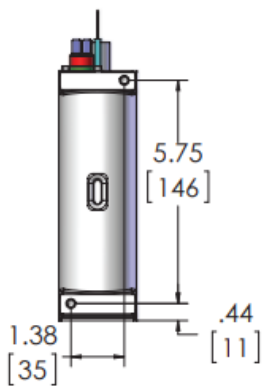
Sensemaster Ltd.
Unit 1 Severn Bridge Ind Est.
Caldicot, Monmouthshire. NP26 5PW

Sensing, Heating & Anti-static Solutions

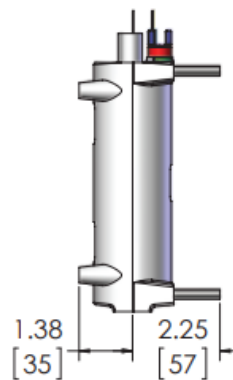
CAST-X DIMENSIONAL SUMMARY:

CAST-X 500 <https://sensemaster.co.uk/wp-content/uploads/2020/01/CAST-X-500.pdf>

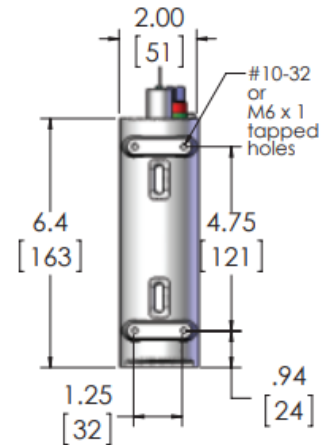
NO ENCLOSURE



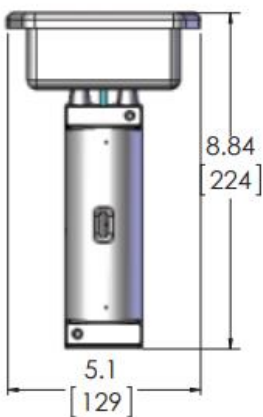
NO ENCLOSURE



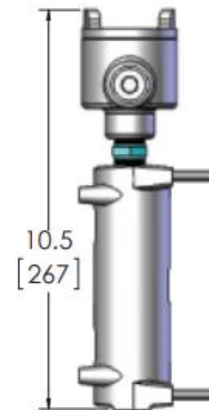
NO ENCLOSURE



GENERAL-PURPOSE (NEMA 1) AND MOISTURE-RESISTANT (NEMA 4) ENCLOSURE



EXPLOSION-PROOF (NEMA7) ENCLOSURE





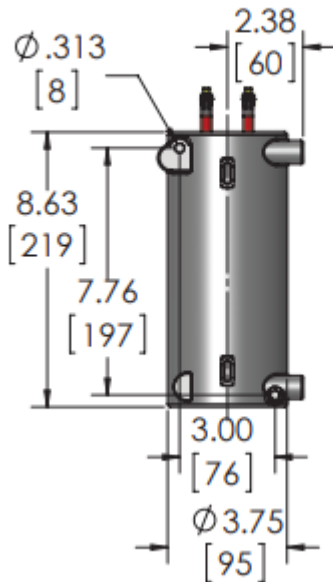
SENSEMASTER LTD

Sensemaster Ltd.
Unit 1 Severn Bridge Ind Est.
Caldicot, Monmouthshire. NP26 5PW

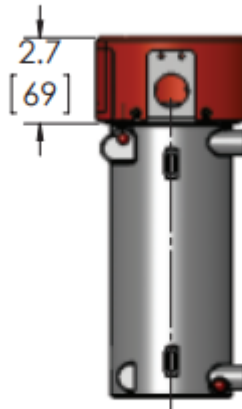
Sensing, Heating & Anti-static Solutions

CAST-X 1000 <https://sensemaster.co.uk/wp-content/uploads/2020/01/CAST-X-1000.pdf>

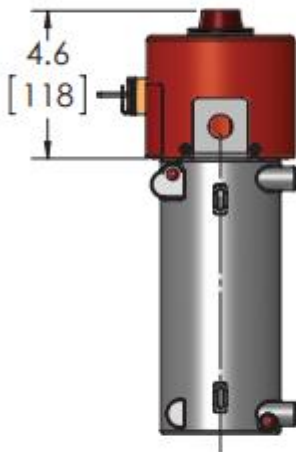
NO ENCLOSURE



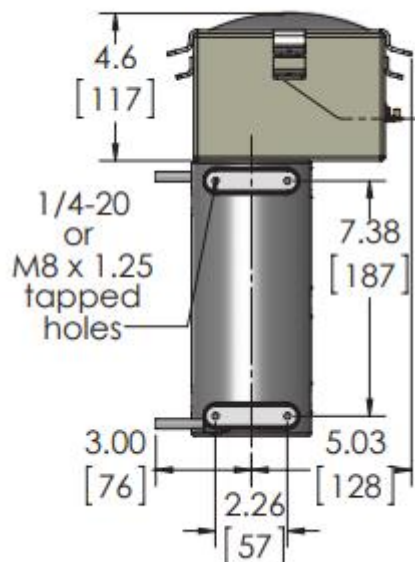
GENERAL-PURPOSE (NEMA 1) NO THERMOSTAT



GENERAL-PURPOSE (NEMA 1) WITH THERMOSTAT



MOISTURE-RESISTANT (NEMA 4) WITH OR WITHOUT THERMOSTAT





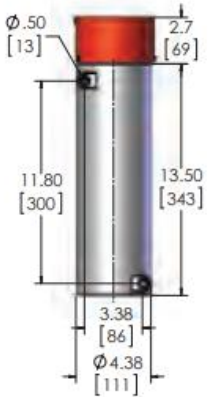
SENSEMASTER LTD

Sensemaster Ltd.
Unit 1 Severn Bridge Ind Est.
Caldicot, Monmouthshire. NP26 5PW

Sensing, Heating & Anti-static Solutions

CAST-X 2000 <https://sensemaster.co.uk/wp-content/uploads/2020/01/CAST-X-2000.pdf>

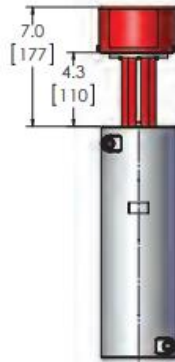
GENERAL-PURPOSE (NEMA 1) ENCLOSURE



GENERAL-PURPOSE (NEMA 1) WITH THERMOSTAT



GENERAL-PURPOSE (NEMA 1) WITH STANDOFF, NO THERMOSTAT



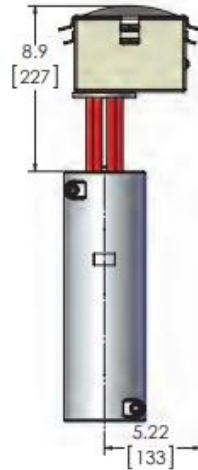
GENERAL-PURPOSE (NEMA 1) WITH STANDOFF & THERMOSTAT



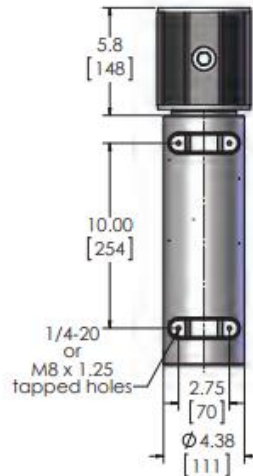
MOISTURE-RESISTANT (NEMA 4) WITH OR WITHOUT THERMOSTAT



MOISTURE-RESISTANT (NEMA 4) WITH STANDOFF, WITH OR W/O THERMOSTAT



EXPLOSION-PROOF (NEMA 7)



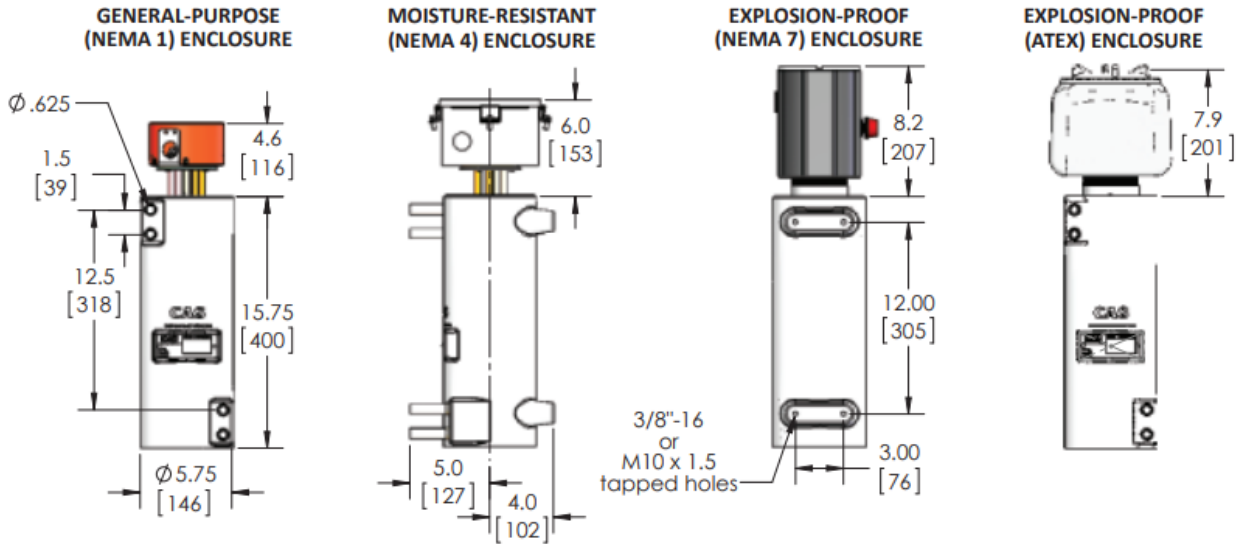


SENSEMASTER LTD

Sensemaster Ltd.
Unit 1 Severn Bridge Ind Est.
Caldicot, Monmouthshire. NP26 5PW

Sensing, Heating & Anti-static Solutions

CAST-X 2500 <https://sensemaster.co.uk/wp-content/uploads/2020/01/CAST-X-2500.pdf>



NEMA 1 ENCLOSURE



NEMA 4 ENCLOSURE



NEMA 7 ENCLOSURE



ATEX ENCLOSURE



INSULATING JACKET



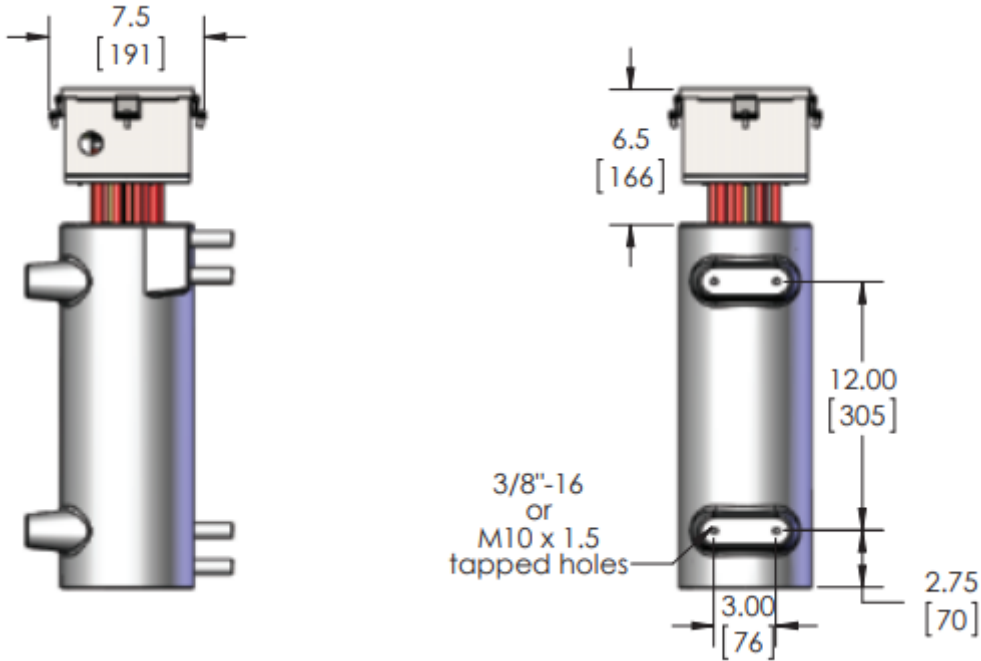
SENSEMASTER LTD

Sensemaster Ltd.
Unit 1 Severn Bridge Ind Est.
Caldicot, Monmouthshire. NP26 5PW

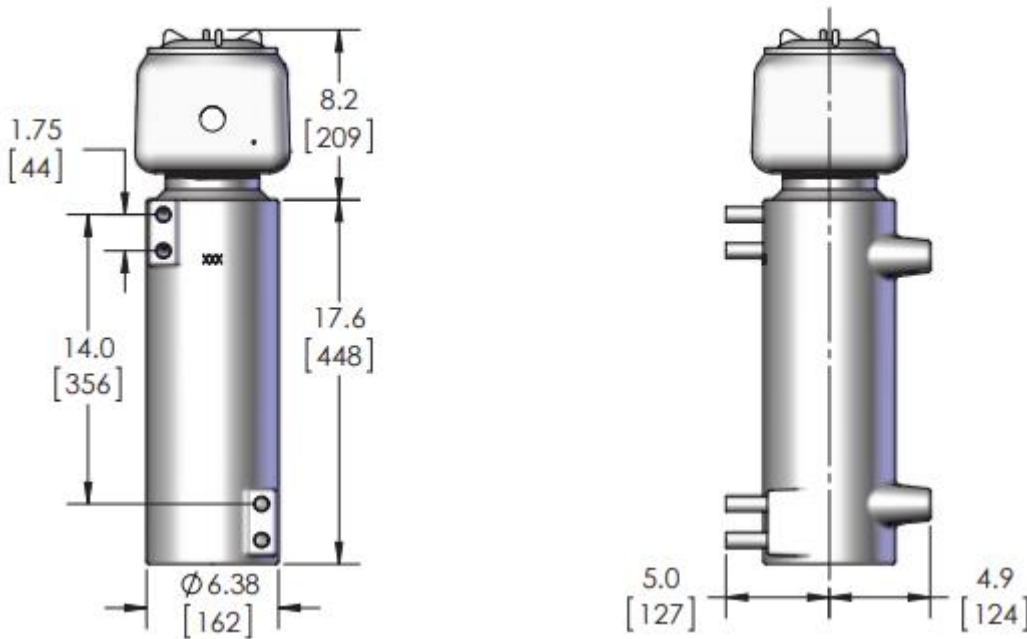
Sensing, Heating & Anti-static Solutions

CAST-X 3000 <https://sensemaster.co.uk/wp-content/uploads/2020/01/CAST-X-3000.pdf>

MOISTURE-RESISTANT (NEMA 4) ENCLOSURE

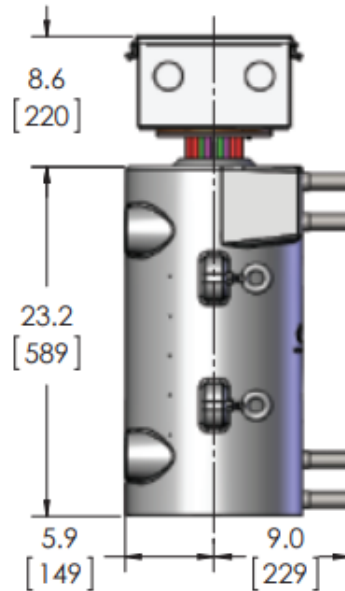
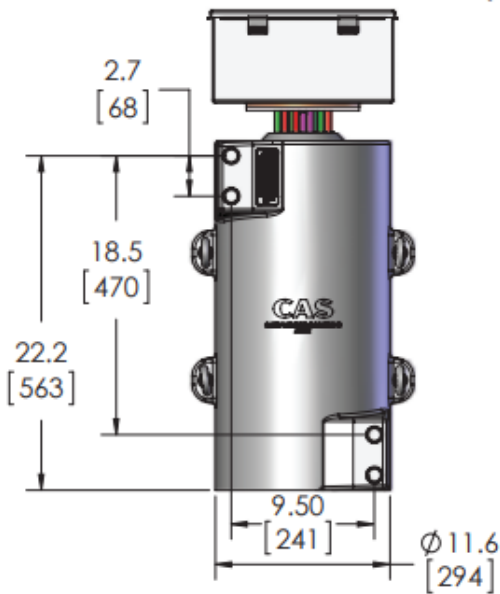


EXPLOSION-PROOF (NEMA 7 / ATEX) ENCLOSURE



CAST-X 4000 <https://sensemaster.co.uk/wp-content/uploads/2020/01/CAST-X-4000.pdf>

**MOISTURE-RESISTANT
(NEMA 4) ENCLOSURE**



**EXPLOSION-PROOF
(NEMA 7 / ATEX) ENCLOSURE**

