

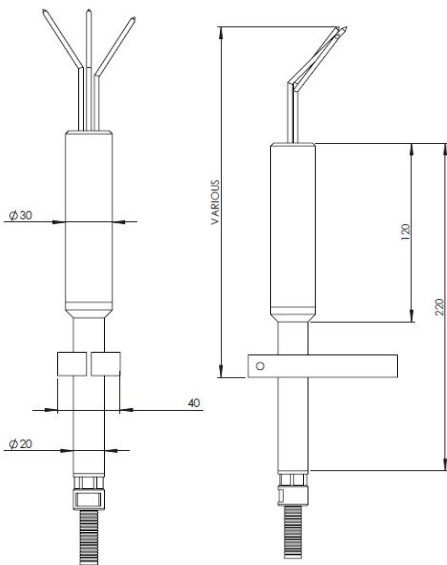
GENERATORS

7093 EDGE PINNER

The 7093 has been specifically designed to allow accurate, high performance edge pinning on film using Fraser market leading static Generation systems.

The 7093 is used to pin plastic film, such as in “neck-in” applications in cast film production.

- > Adjustable tips allow easy installation in a range of applications.
- > Precise static generation exactly where it is needed.
- > Robust construction ensures long life.
- > Easy to install.
- > “Stay-sharp” emitters, easily replaceable.



Specification

Size:	Body 220mm x 30mm Ø.
Emitters:	3mm Ø, available in various lengths.
Safety:	Coupled to HV with 100MΩ. Other values are available.
Material	PTFE Body. Tungsten Emitters.
Temperature:	Pinner and Emitters 140°C. Cable and Conduit 80°C.
Cable:	2m of 60kV Cable. Longer lengths, can be specified at time of order.
Generator:	Use with Fraser Models 7333 and 7360.
Installation/Mounting:	Supplied with Polymer mounting brackets.