

DUST & STATIC

6000 IONTUBE

The 6000 Iontube is designed to be incorporated into pneumatic transport systems to neutralise the static electricity generated in this process.

The 6000 Iontube can increase dramatically the efficiency of dust and product separation in cyclones; it can eliminate static charge build-up in hoppers and collection systems, preventing blockages and handling problems.

- > Static neutralisation is supplied by Ionising Bars mounted in enclosures around the circumference of the Iontube. The number of Bars is determined by the diameter and length of the Iontube.
- > The Bars are individually connected to a connector box mounted on the Iontube. So if one bar is damaged, only that bar needs to be replaced.
- > Standard 6000 Iontubes use 1 m long Jacob stainless steel tubes. These are available in a wide range of standard sizes with coupling devices for easy incorporation into existing pipe work, see www.jacob-tubing.com.
- > We can make Iontubes in other materials and sizes - please contact the factory with your requirements.



Specification

Construction:

The Iontube consists of Fraser 1250 Ionising bars mounted into housings welded around the circumference of a stainless steel tube. The welding is airtight.

Size:

Fraser offers standard DIN pipe sizes with outside diameters of 50 mm, 80 mm, 100 mm, 150 mm, 200 mm, 250 mm, however different sizes can be made or alternatively we can use pipes supplied or specified by the customer to ensure complete system compatibility. Please see table on page 2.

Cable from Connector Box to Power Unit:

2 m of HT Cable is standard, unless otherwise specified. This determines the distance between the Iontube and the Power Unit.

Power Unit:

Used with a Fraser HP Power Unit which converts the mains voltage to approx. 5.5 kV. It is current limited with a maximum current output of 5 mA for safety.

Applications

Static electricity is generated by the interaction between the products, the air and the inner walls of the transport system. Generally plastics and very dry products are more susceptible to static generation. While plastic pipes will produce more static electricity than metal pipes, it is the nature of the product being transported which determines the severity of the problem.

The static generation is a continuous process in the transport system - so positioning of the 6000 Iontube is important. It should be positioned just before the problem area to prevent re-generation of the charge.

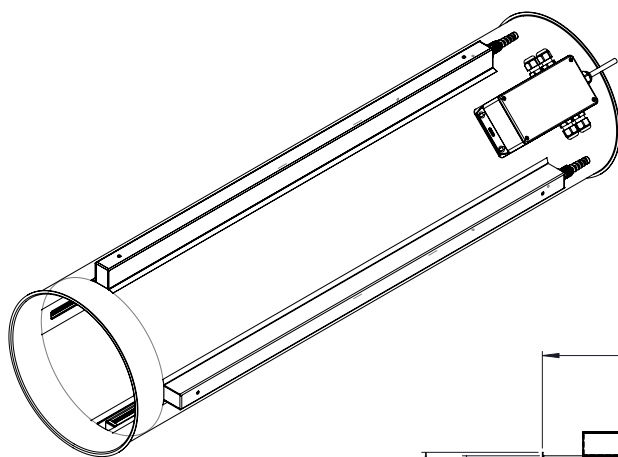
The 6000 Iontube is designed for internal use. Contact factory for additional options.

Standard Sizes

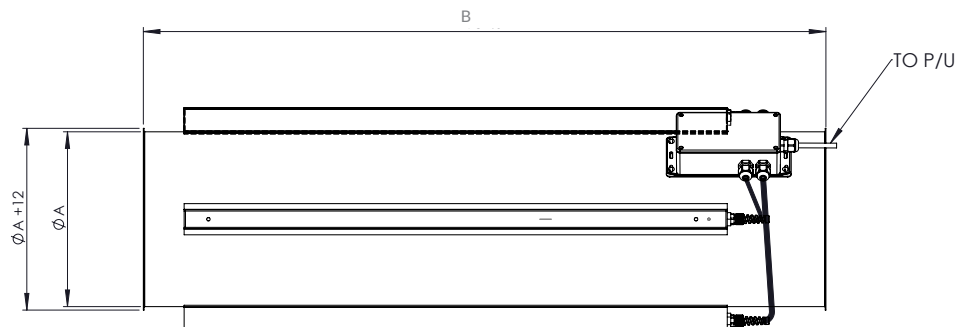
Outside Diameter "A"	Nominal Length of Tube "B"	Number and length of static eliminators
50 mm	984 mm	2 x 750 mm
80 mm	984 mm	2 x 750 mm
100 mm	984 mm	3 x 750 mm
150 mm	984 mm	3 x 750 mm
200 mm	984 mm	4 x 750 mm
250 mm	984 mm	4 x 750 mm
300 mm	984 mm	5 x 750 mm

Other sizes and diameters are available- contact factory for options.

Dimensions



There is a 6 mm flange at each end.



6000_DS_iss5