

VEGAPULS 64

4 ... 20 mA/HART - two-wire

Radar sensor for continuous level measurement of liquids



Application area

VEGAPULS 64 is a radar sensor for continuous level measurement of liquids.

Special advantages are offered by small process fittings with small tanks and the very good focussing with applications in large tanks. This is made possible by its functional principle, a distance measurement through frequency shifting with an especially small beam angle.

Your benefit

- Maintenance-free operation thanks to non-contact measuring principle
- High plant availability, because wear and maintenance free
- Exact measuring results independent of process conditions

Function

The sensor emits a continuous radar signal through the antenna. The emitted signal is reflected by the medium and received as echo by the antenna.

The frequency difference between the emitted and received signal is proportional to the distance and hence to the filling height. The determined filling height is converted into a respective output signal and outputted as measured value.

Technical data

Measuring range up to	30 m (98.43 ft)
Deviation	±2 mm
Process fitting	Thread from G $\frac{3}{4}$, mounting strap, flanges from DN 50, 2"
Process pressure	-1 ... 20 bar (-100 ... 2 MPa/-14.5 ... 290.1 psig)
Process temperature	-40 ... +200 °C (-40 ... +392 °F)
Ambient, storage and transport temperature	-40 ... +80 °C (-40 ... +176 °F)
Operating voltage	12 ... 35 V DC

Materials

The wetted parts of the instrument are made of 316L, PP, PTFE or PEEK. The process seal is made of FKM, FFKM, EPDM or PTFE.

You will find a complete overview of the available materials and seals in the "Configurator" at www.vega.com and "VEGA Tools".

Housing versions

The housings are available as single chamber or double chamber version in plastic, stainless steel or aluminium. They are available with protection ratings up to IP 68 (1 bar).

Electronics versions

The instrument is available with electronics 4 ... 20 mA/HART.

Approvals

Approvals are planned for the instrument for use in hazardous areas as well as in the ship and food processing industry. You can find detailed information of the approvals for all instruments at www.vega.com/downloads and "Approvals".

Operation

The adjustment of the instrument is carried out via the optional display and adjustment module PLICSCOM or via a PC with the adjustment software PACTware and corresponding DTM. Further adjustment options are possible via a HART Communicator as well as manufacturer-specific programs such as AMS™ or PDM.



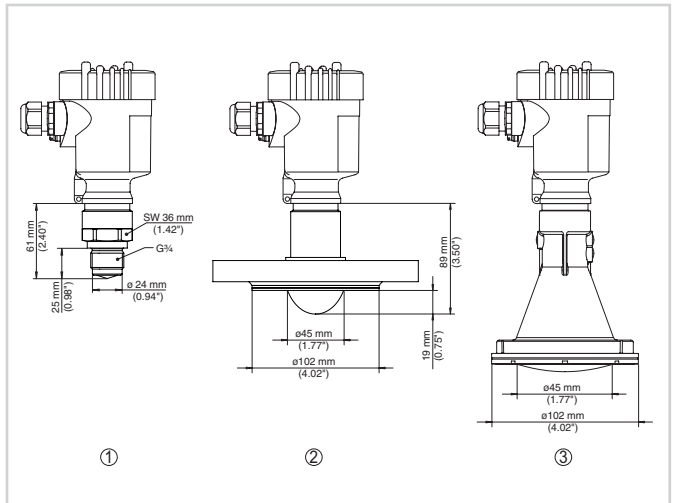
Electrical connection



Electronics and terminal compartment, single chamber housing

- 1 Voltage supply/Signal output
- 2 For display and adjustment module or interface adapter
- 3 For external display and adjustment unit
- 4 Ground terminal for connection of the cable screen

Dimensions



Dimensions VEGAPULS 64

- 1 Version thread with integrated horn antenna
- 2 Version flange with encapsulated antenna system
- 3 Version plastic horn antenna

Information

You can find further information about the VEGA product line on www.vega.com.

In the download section at www.vega.com/downloads you'll find operating instructions, product information, brochures, approval documents, instrument drawings and much, much more.

There, you will also find GSD and EDD files for Profibus PA systems as well as DD and CFF files for Foundation Fieldbus systems.

Instrument selection

With the "Finder" at www.vega.com/finder and "VEGA Tools" you can select the most suitable measuring principle for your application. You can find detailed information on the instrument versions in the "Configurator" at www.vega.com/configurator and "VEGA Tools".

Contact

You can find the VEGA agency serving your area on our homepage www.vega.com.