

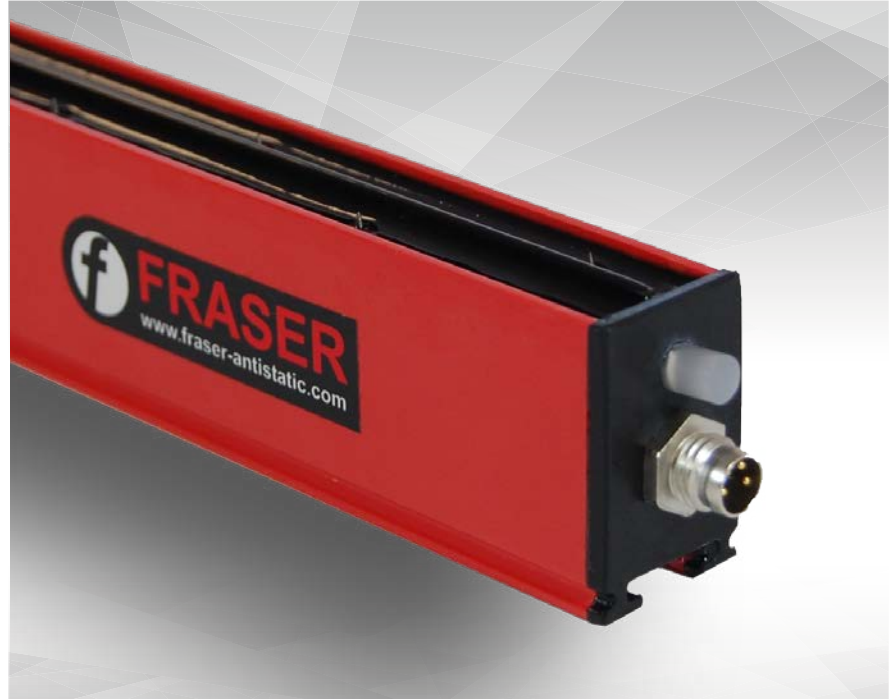
ANTI-STATIC BARS

3014 24 V DC IONISING BAR

The 3014 introduces new standards in performance and size in a 24 V DC Static Eliminator. It offers market leading performance in a very compact Bar.

Static neutralisation to meet the requirements of high performance machinery. Integrated high voltage power supply, requires only a low voltage 24 V DC input.

- > 7.5 kV of ionisation power.
- > Compact size for compatibility with modern machinery.
- > Emitters made from tungsten for best long term performance; Resistively coupled for shockless operation.
- > LED status indication: Bar OK: (green), fault: (red). Clean Me: (alternating red/green)
- > Remote monitoring of operational status and cleanliness through 24 V signals.
- > Effective length = 20 mm less than overall length.
- > Standard M8 4 pin connector.
- > Best operational distance: 20 mm to over 150 mm.
- > Protected against undervoltage, overload and reverse polarity wiring.
- > Cleanroom compatible to ISO4.
- > Options:
 - Airboost
 - Airknife Mounted



Specification

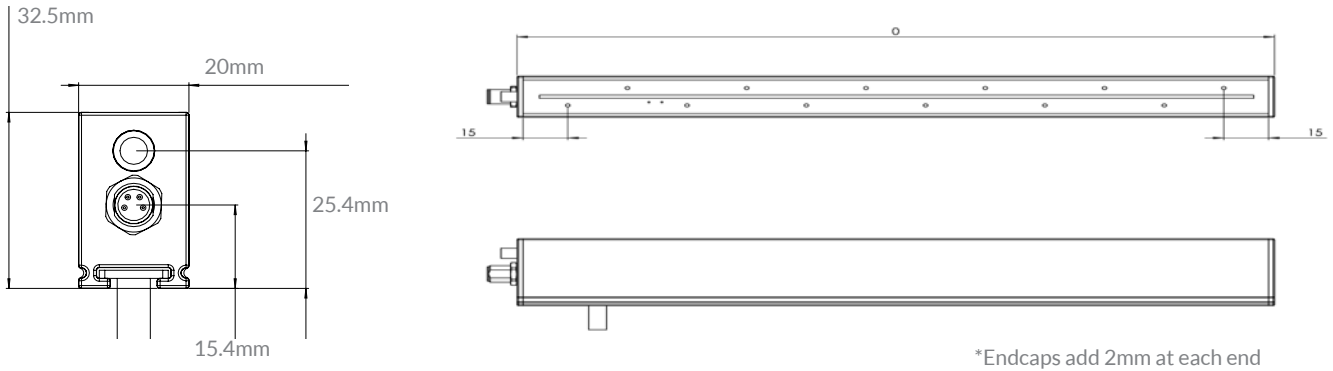
Electrical Supply:	Input: 24 V DC (21-27 V), max current 0.5 A. M8 x 4 Pin connector. M8 x 4 core cable to be ordered separately. 90 -250 V PSU also available.
Size and construction:	Profile 32.5 x 20 mm. Minimum length 250 mm then in 40 mm steps to 4010 mm. FR-ABS Industrial grade extrusion, epoxy resin, tungsten. IP66. Fully sealed.
Weight:	0.25 m = 0.28 kg then 0.51 kg per additional metre.
System Monitoring:	LED on endcap: green = all OK green/red flashing = needs cleaning red = fault Remote monitoring makes this information available with a 24 V signal from the Bar to a PLC or other destination. This voltage is taken from the Bar - no additional power source is required. Compatible with IEC 61131-2 'Type 3' PLC inputs. Signal protected against shorting and mis-wiring.
High Voltage Output:	Up to 7.5 kV supply integrated into Bar.
Environment:	-10 to 55°C, Maximum Humidity 70% non-condensing.
Standards:	CE. UL and CB Pending.

Applications

For modern machinery and production processes within the operation distance of 20 - 150 mm.
 Ideal as a more powerful alternative to conventional AC static eliminators.
 No need for additional power supply. The 3014 comes with electronics and 7.5 kV fully integrated.

- Minimum length 250 mm, then in 40 mm steps up to 4010 mm.
- Operating distance from 20 mm to 150 mm.

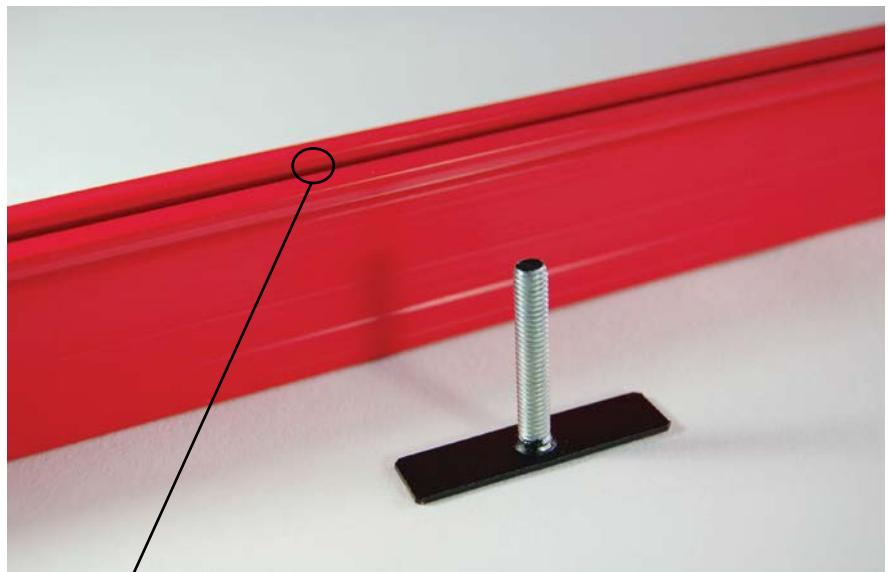
Dimensions



Mounting

'T' M6 x 40 stud and flange nut. Two mounting blocks for Bars up to 1m, plus 1 extra for every additional 500 mm.

Other stud lengths are available, please contact the manufacturer for options.



The 'T' fixing bracket slides into the slot in the bottom of the Bar.

Accessories/Spares

Description	Part No.	Description	Part No.
3 m cable with 180° connector	80892	3 m cable with 90° connector	80933
5 m cable with 180° connector	80930	5 m cable with 90° connector	80934
7.5 m cable with 180° connector	80931	7.5 m cable with 90° connector	80935
10 m cable with 180° connector	80932	10 m cable with 90° connector	80936
Additional mounting set	30248	AC to 24V DC power supply	E3024-PSU

Cables must be ordered separately in addition to Bar.
 They have standard M8 4 pin female connectors.